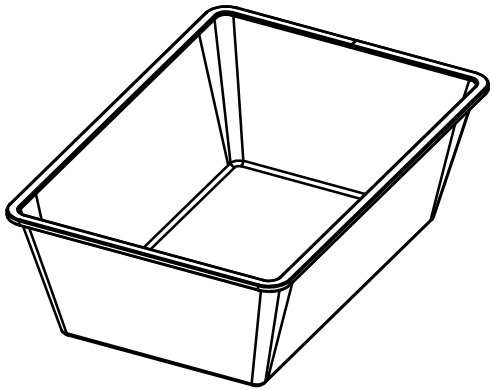
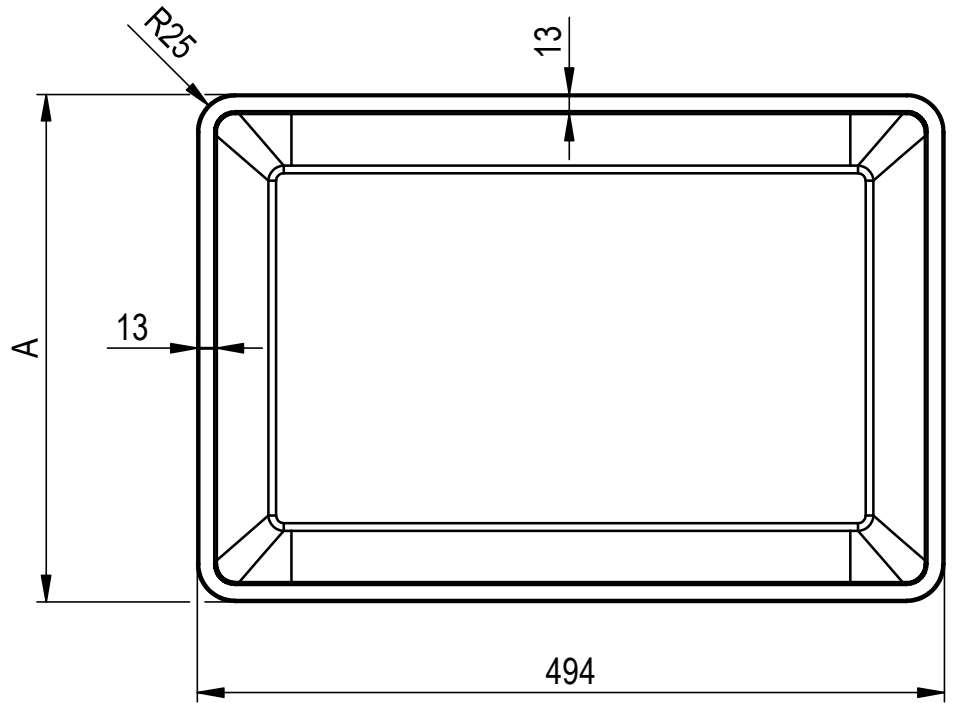
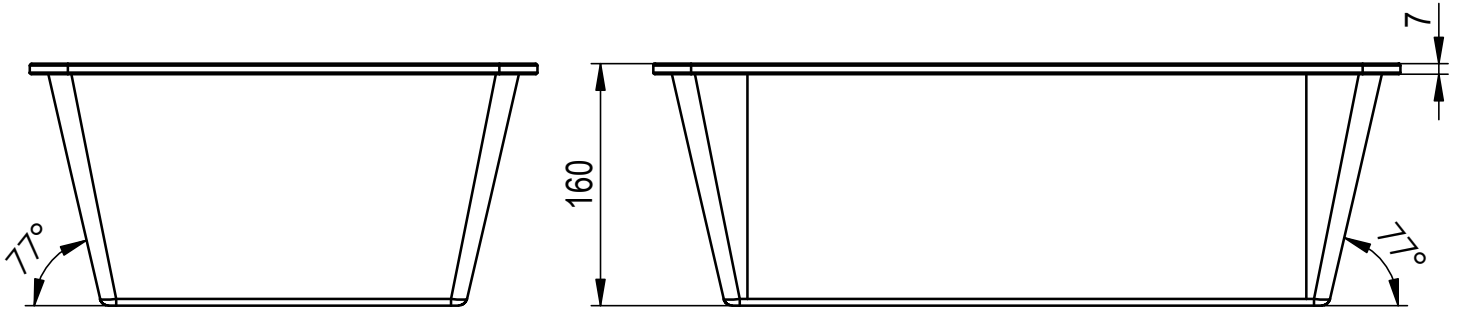


A (mm)
336
436
536
736
936



StrongWire Mesh Flex



10.06.2026