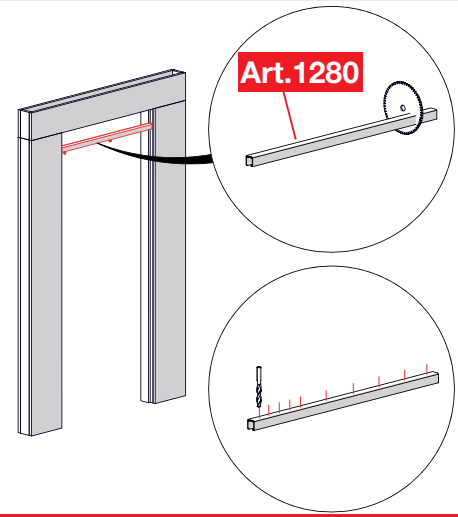


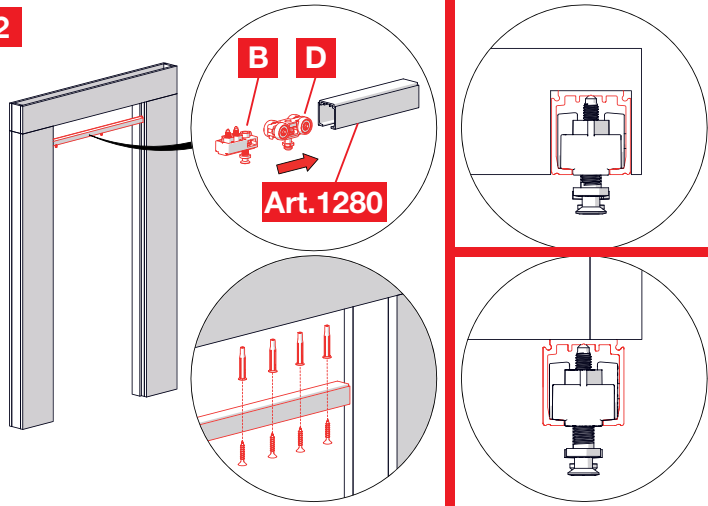


7002.07196 REV.03

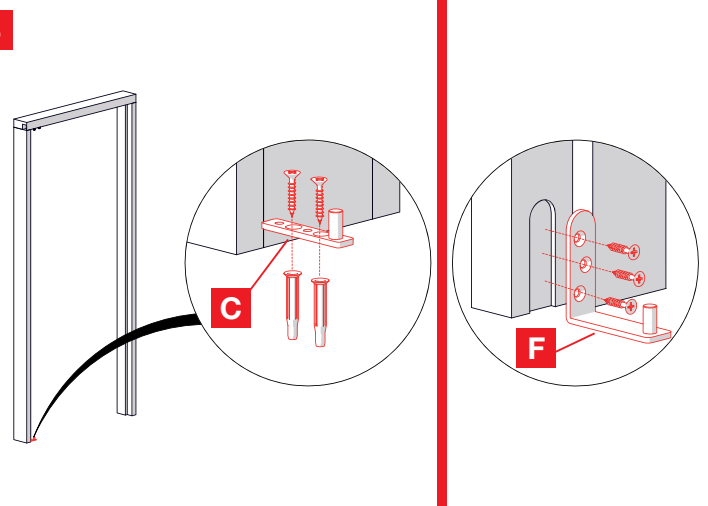
1



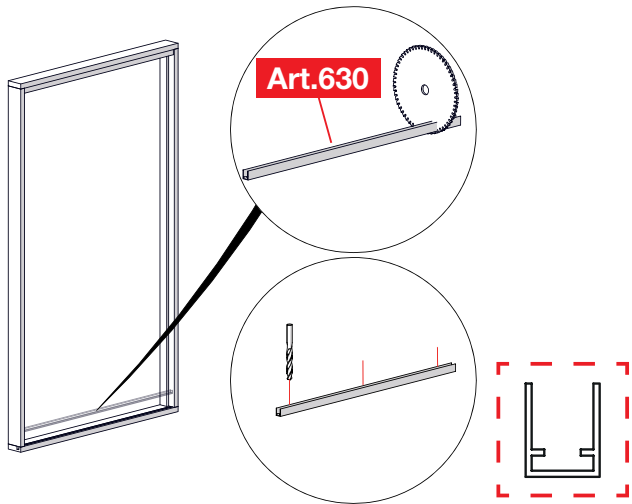
2



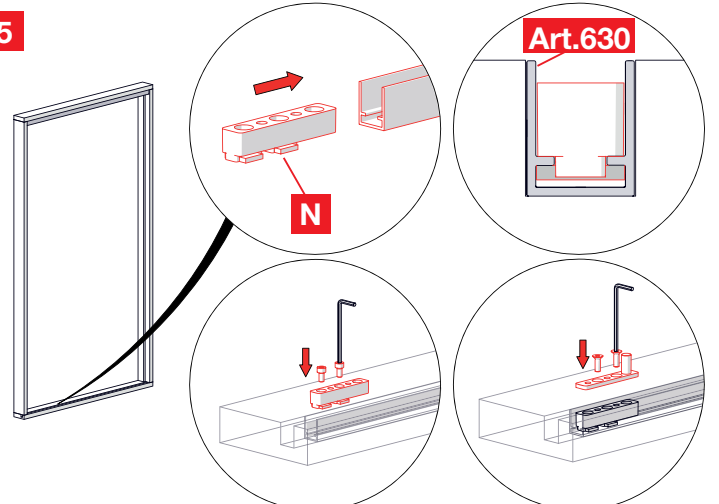
3



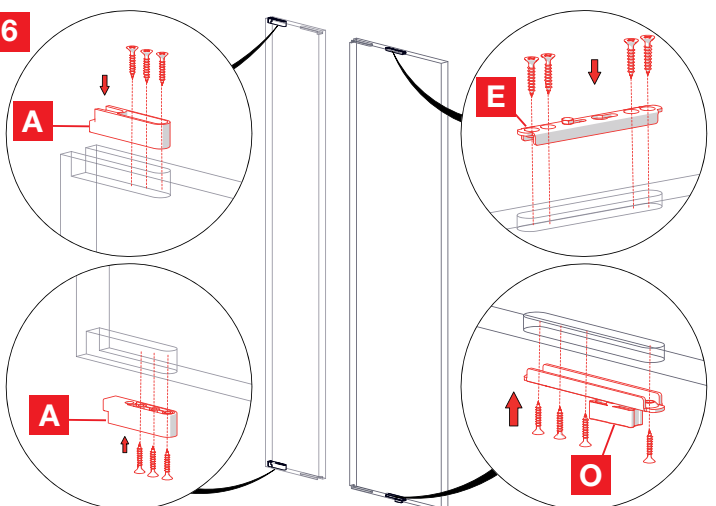
4



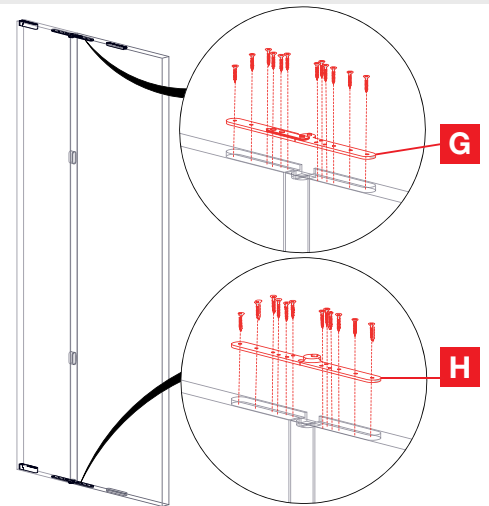
5



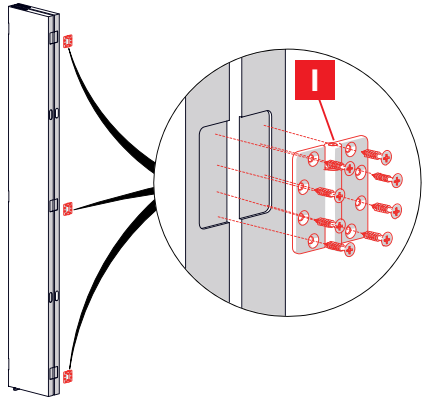
6



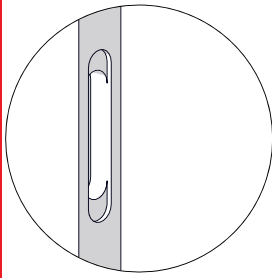
7



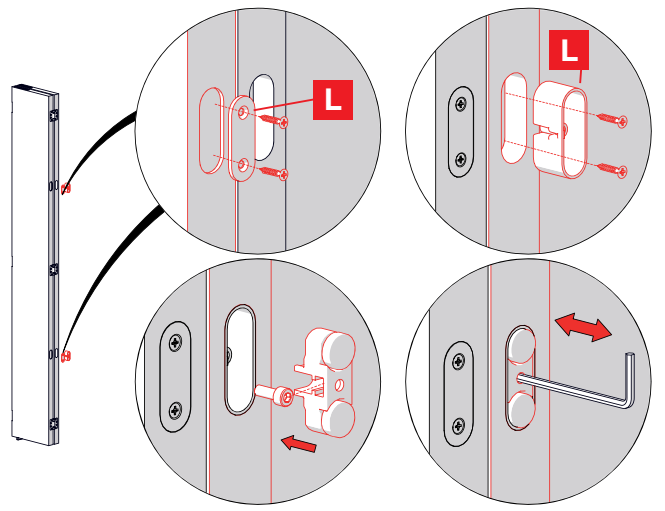
8



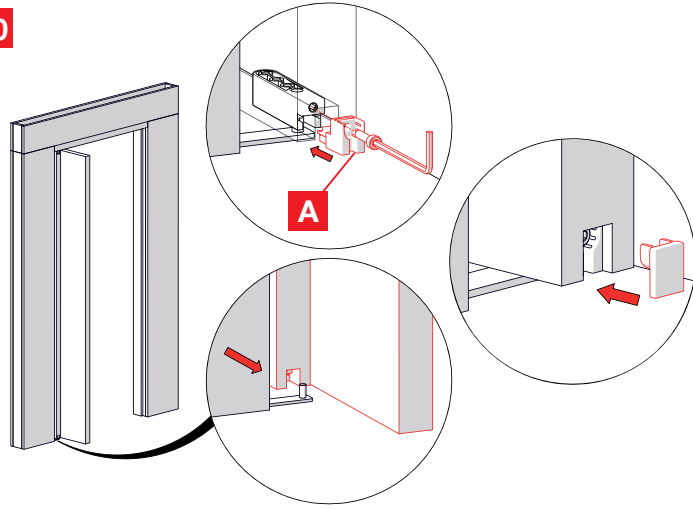
M Hinges not included
Cerniere non incluse



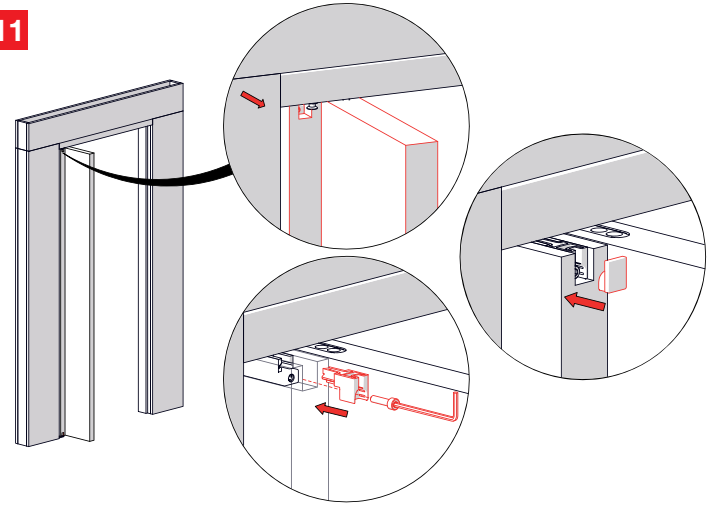
9



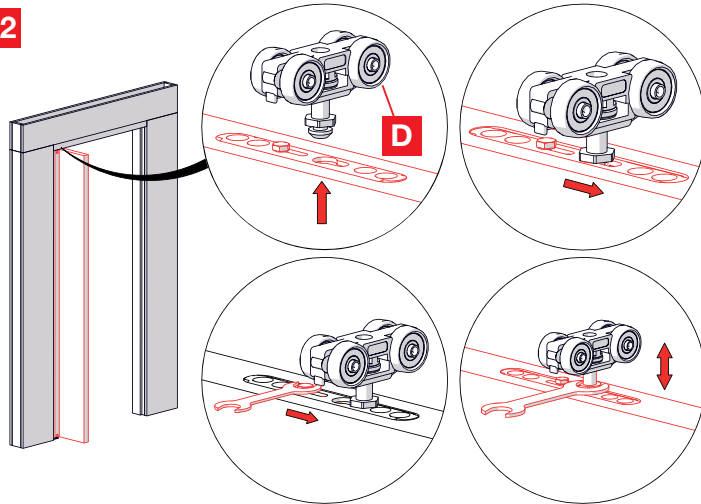
10



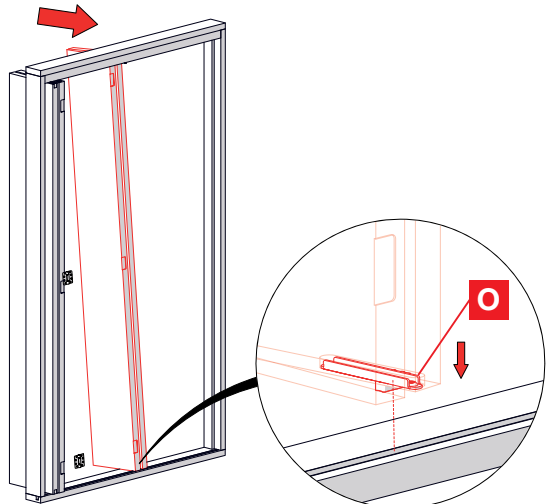
11



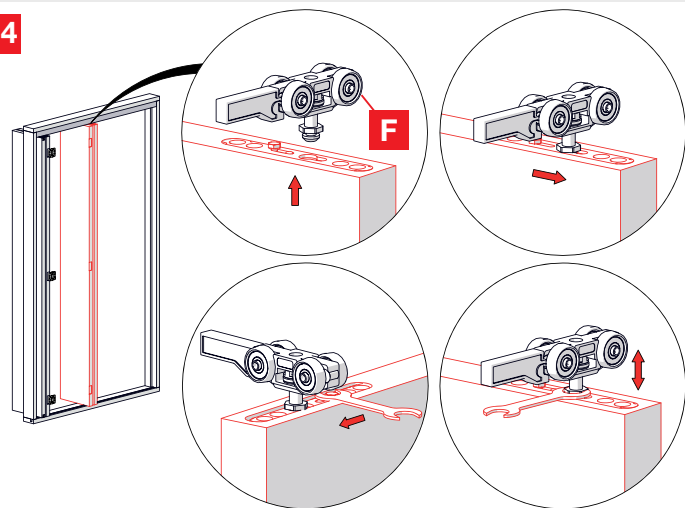
12



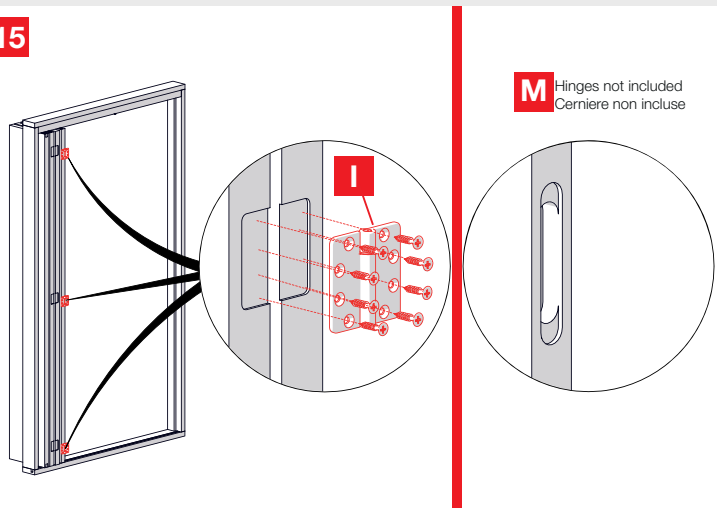
13



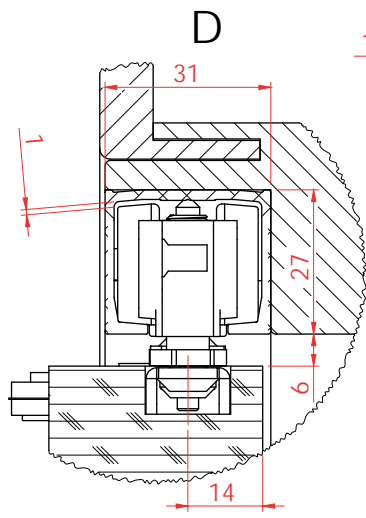
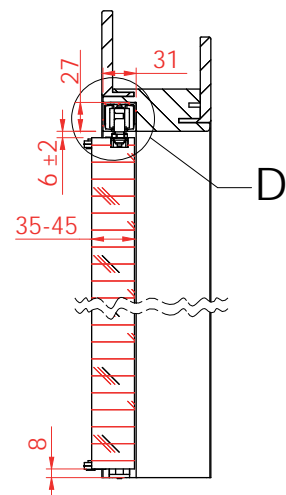
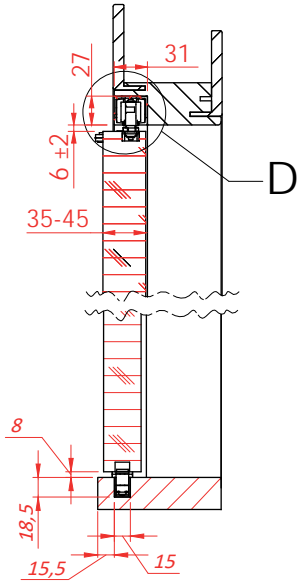
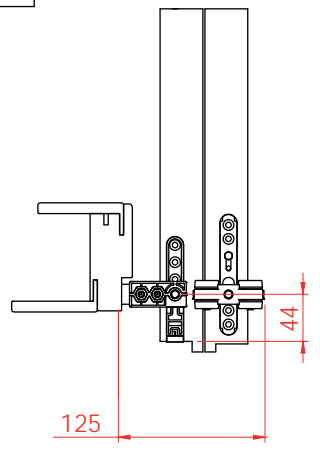
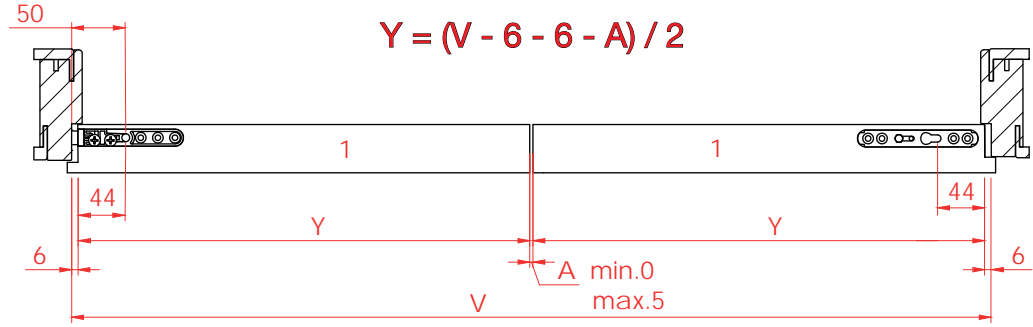
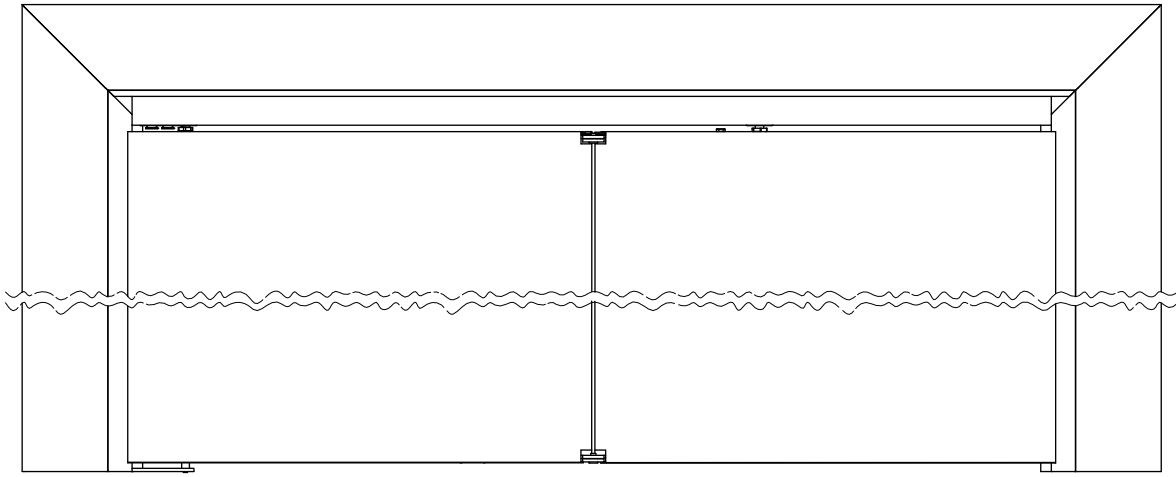
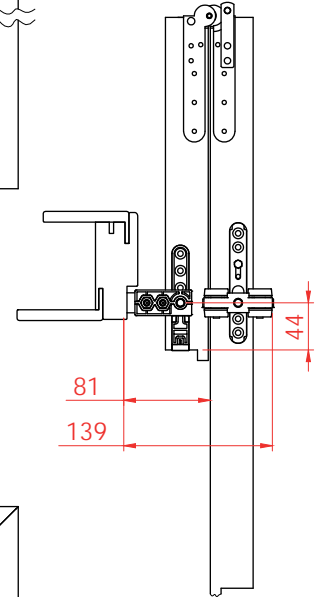
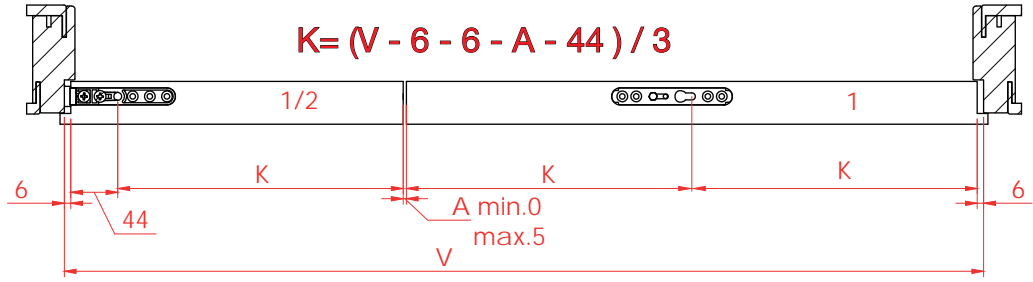
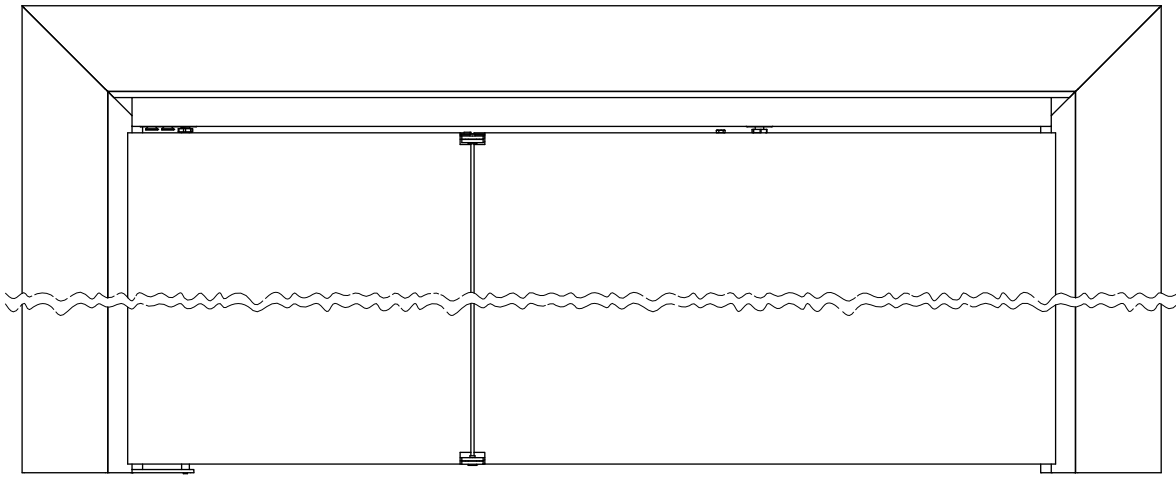
14



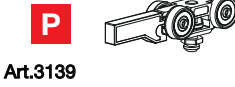
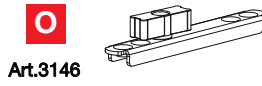
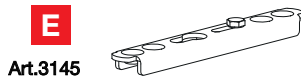
15



M Hinges not included
Cerniere non incluse



K.0583.1.1
 K.0584.1.1
 K.0583.2.1
 K.0584.2.1



	H MAX.2400	H = 2401- 3000
M Hinges not included Cerniere non incluse	x6	x8
L	x4	x6

Art.3137



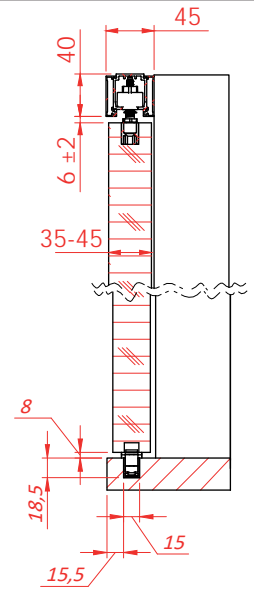
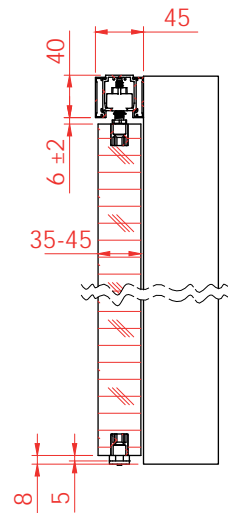
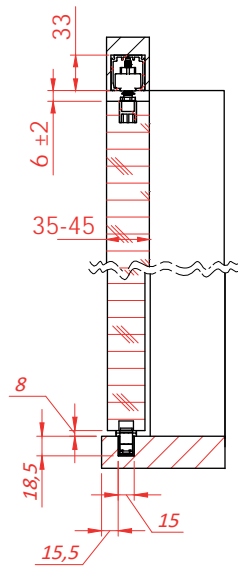
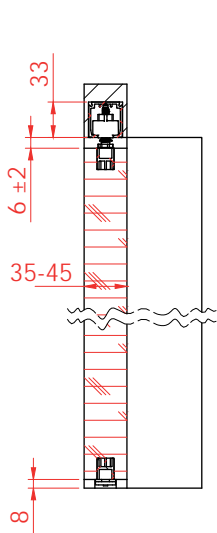
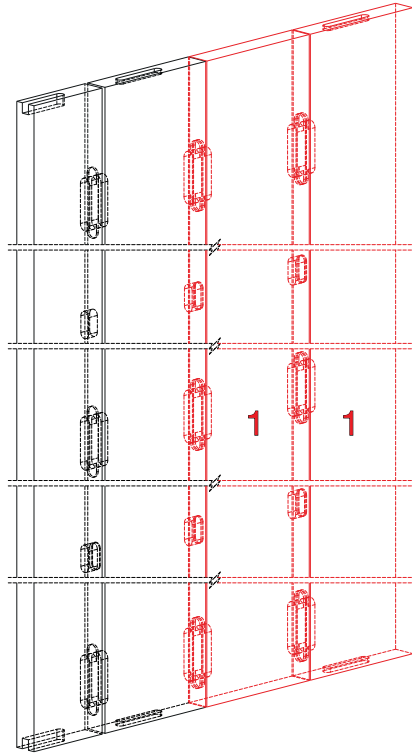
Art.3147



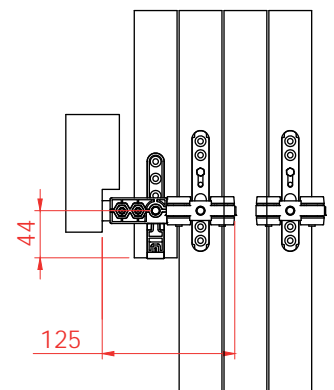
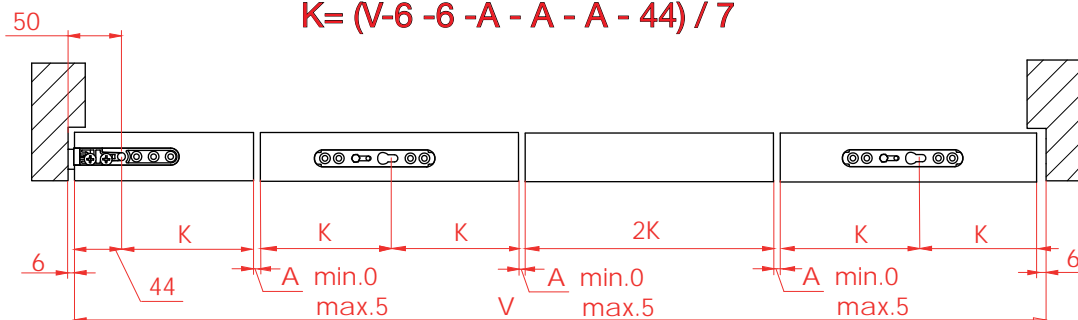
Art.630



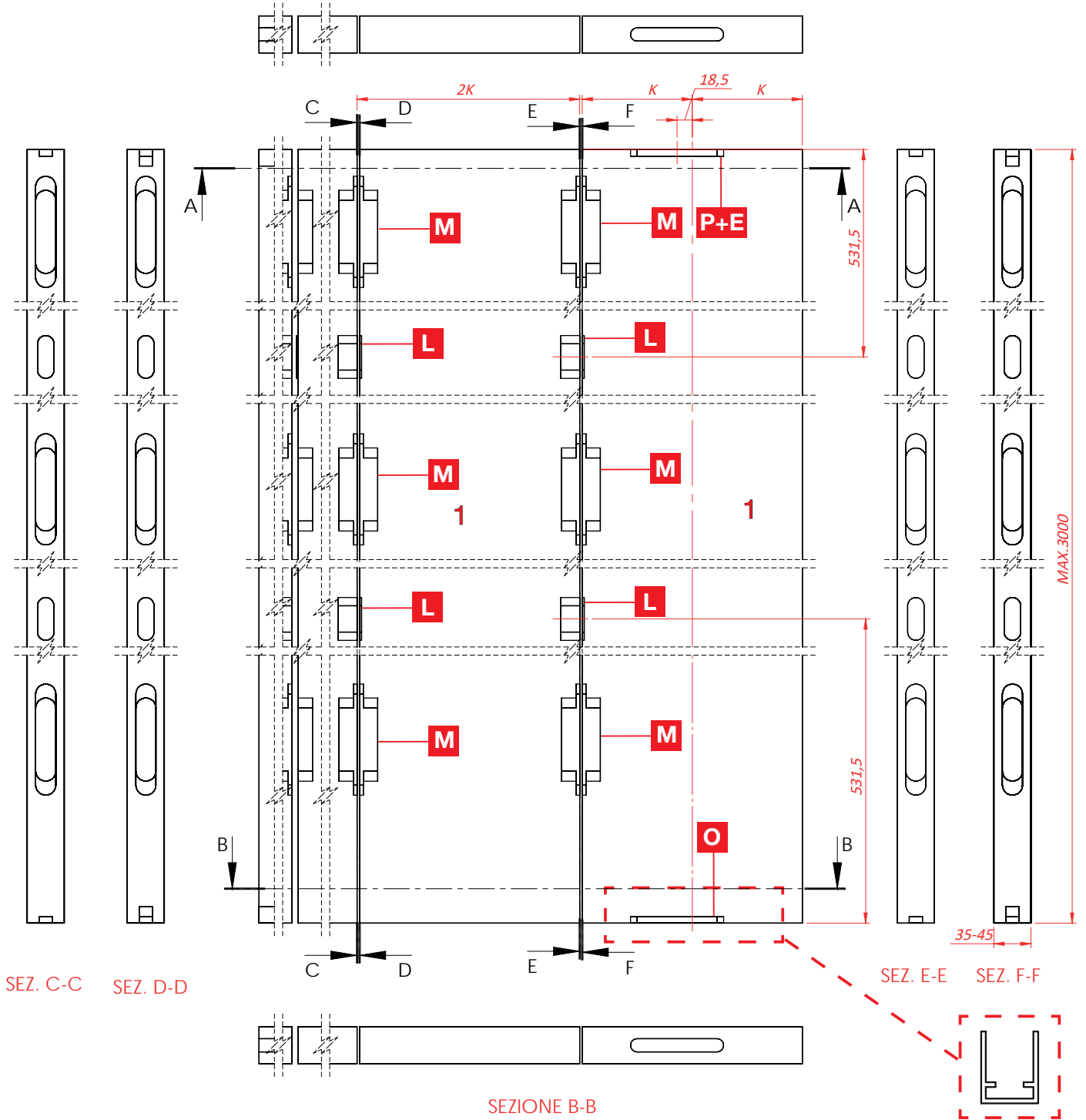
Art.1280



$$K = (V - 6 - 6 - A - A - A - 44) / 7$$



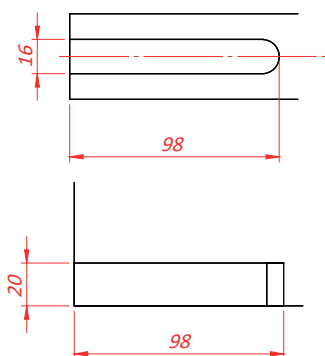
SEZIONE A-A



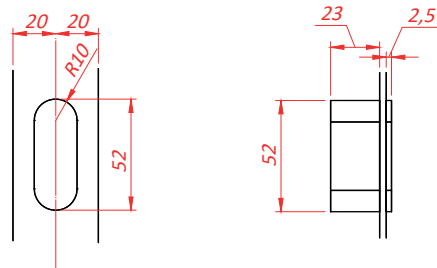
F/C+A

N+C+A

A+B

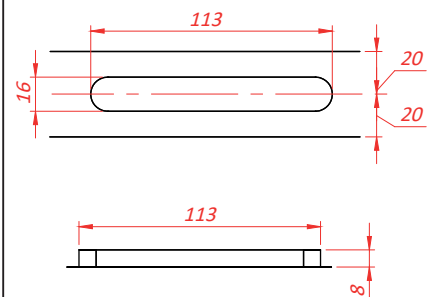


L

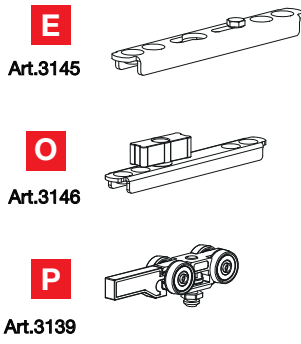


P+E

O



K.0583.1.1
K.0584.1.1
K.0583.2.1
K.0584.2.1



	H MAX.2400	H = 2401- 3000
M Hinges not included Cerniere non incluse	x6	x8
L	x4	x6

Art.3137



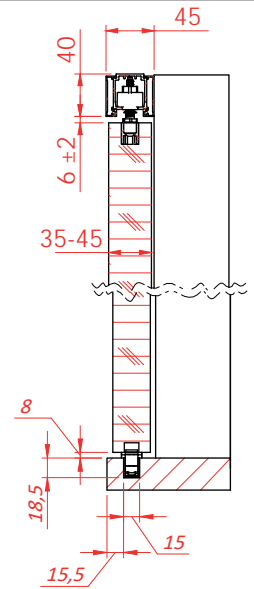
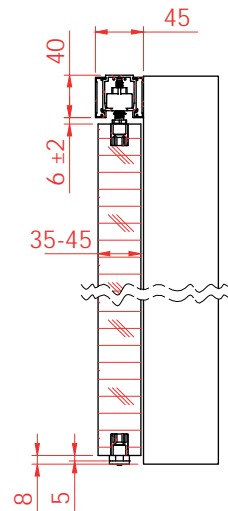
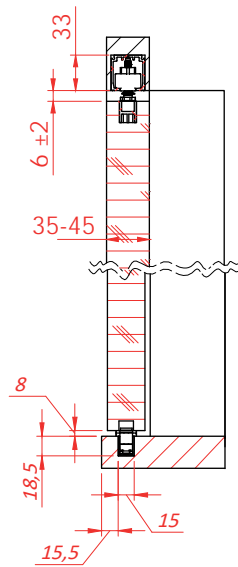
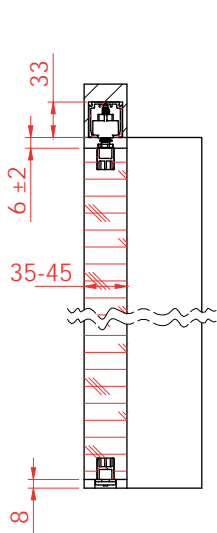
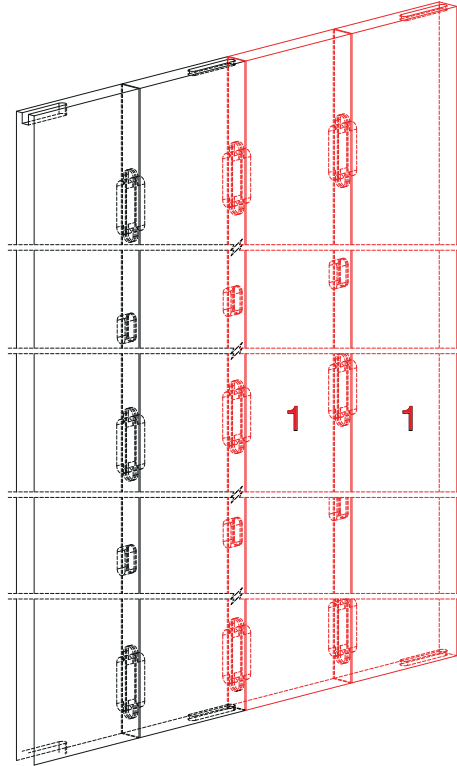
Art.3147



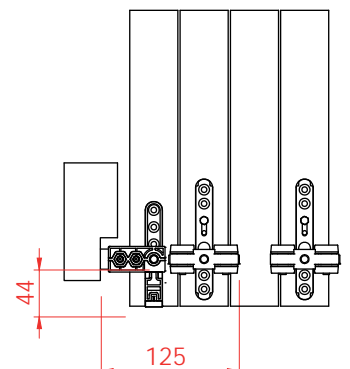
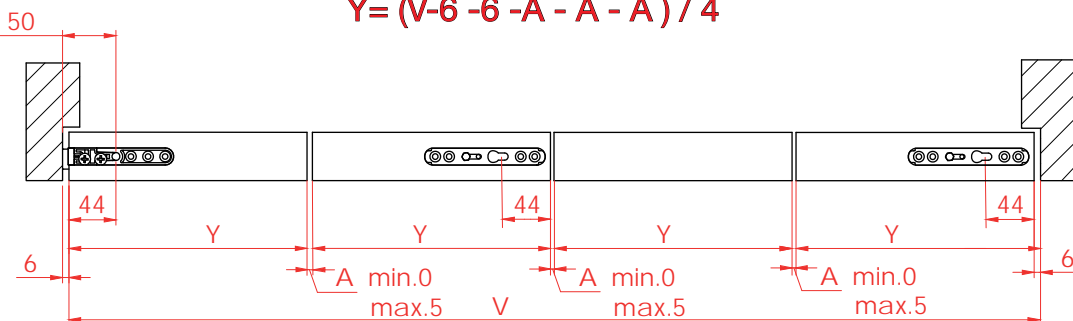
Art.630



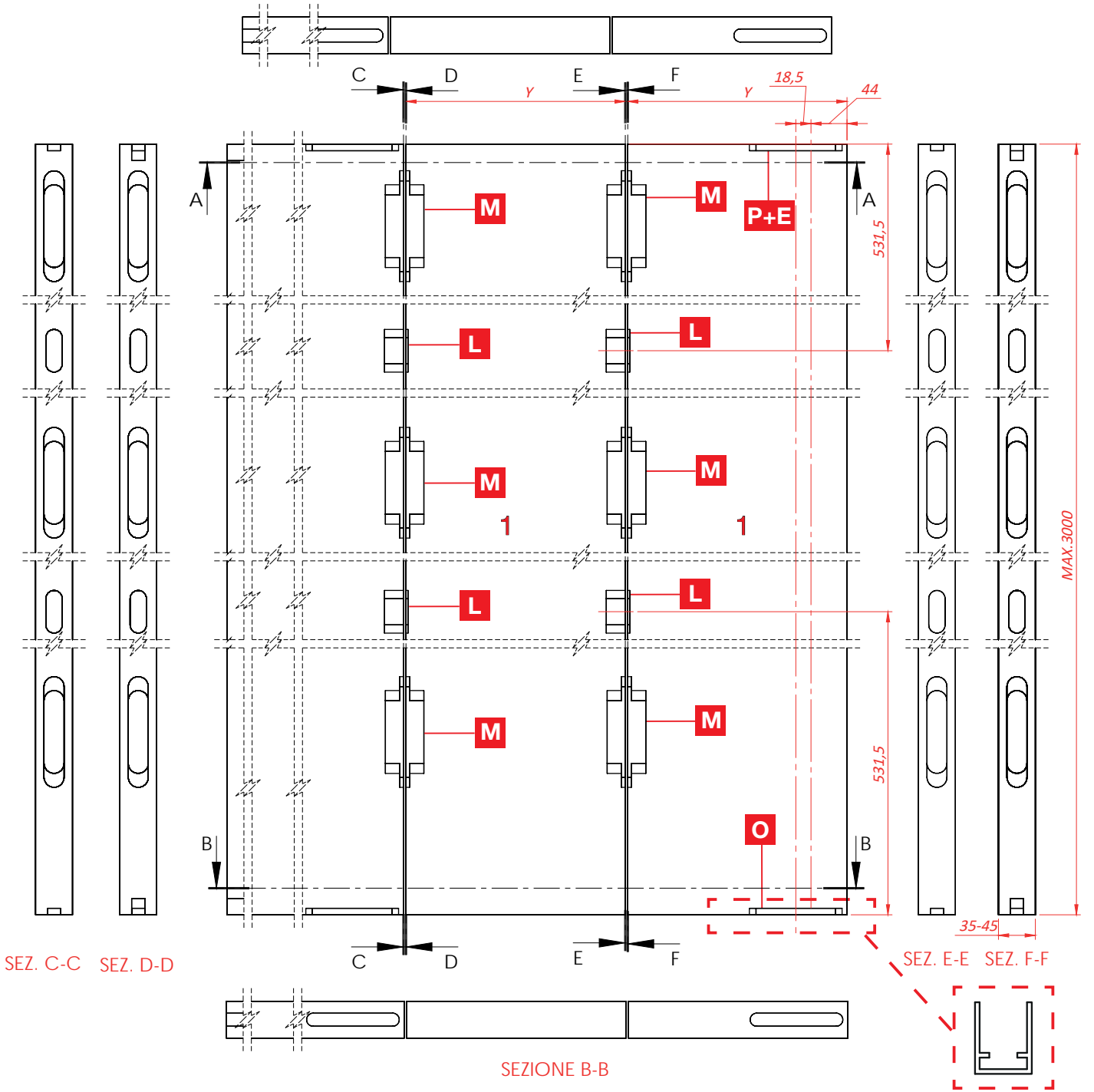
Art.1280



$$Y = (V - 6 - 6 - A - A - A) / 4$$



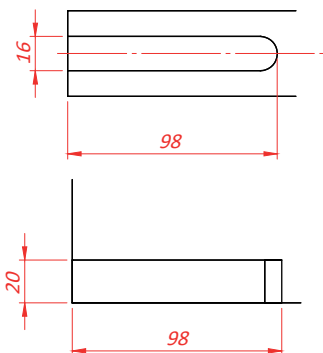
SEZIONE A-A



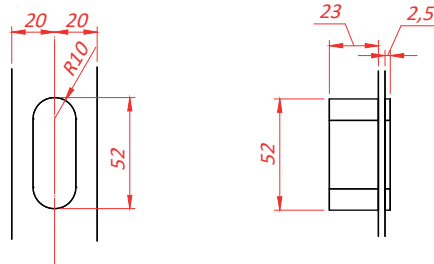
F/C+A

N+C+A

A+B



L



P+E

O

