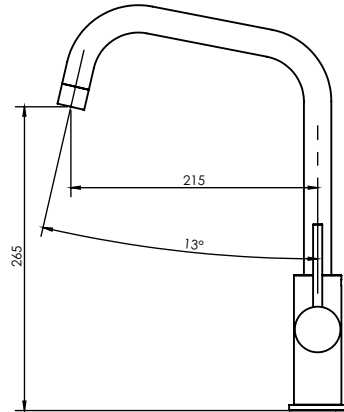
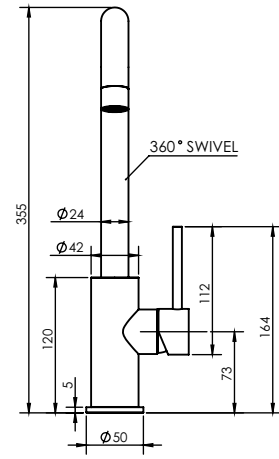


S STRONG

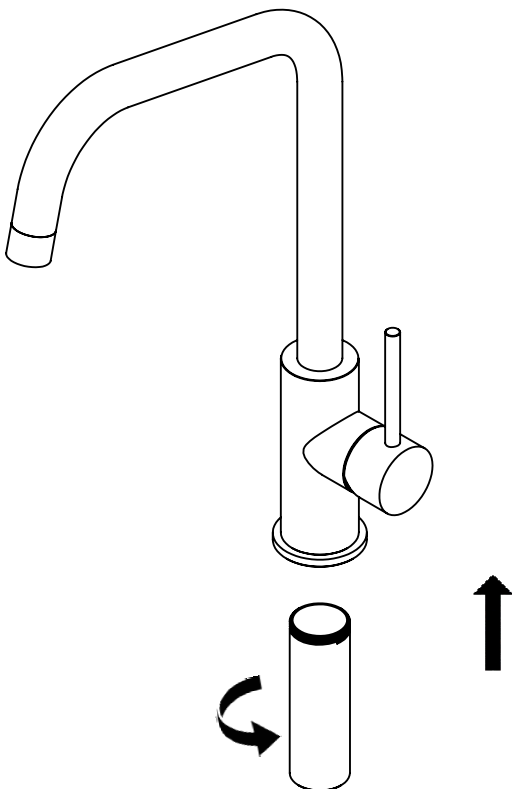


INSTALLATION INSTRUCTION

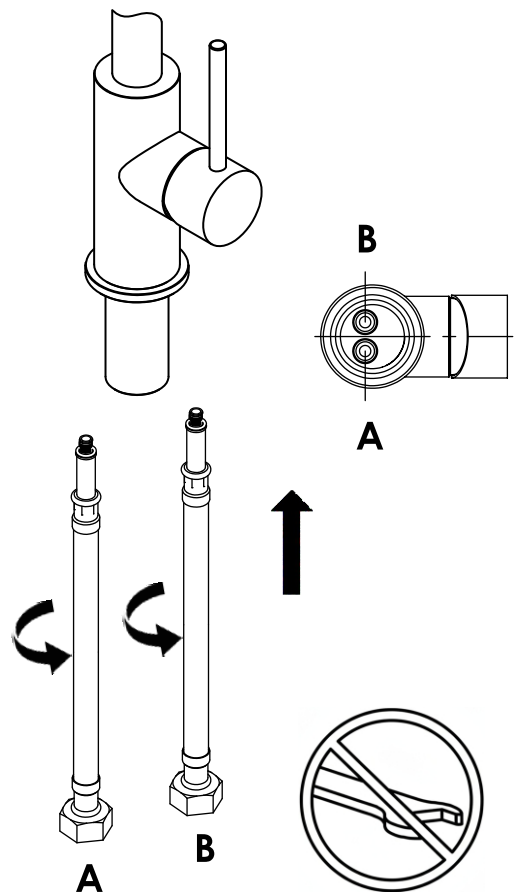
Arda



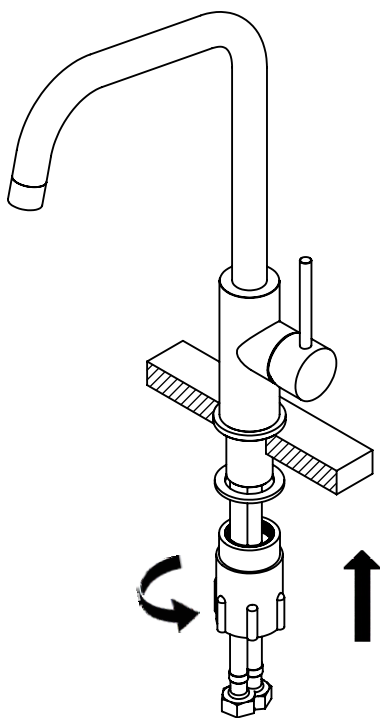
- 1** Insert the base on the body from bottom to top;



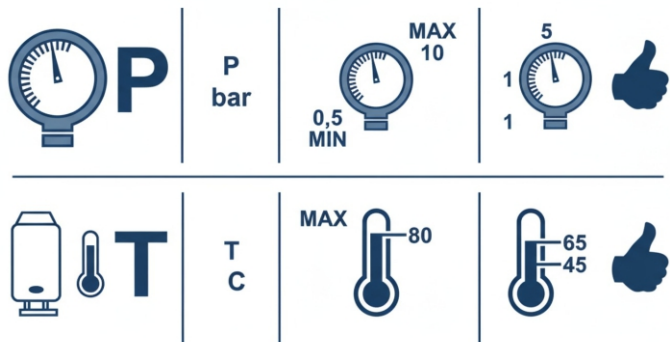
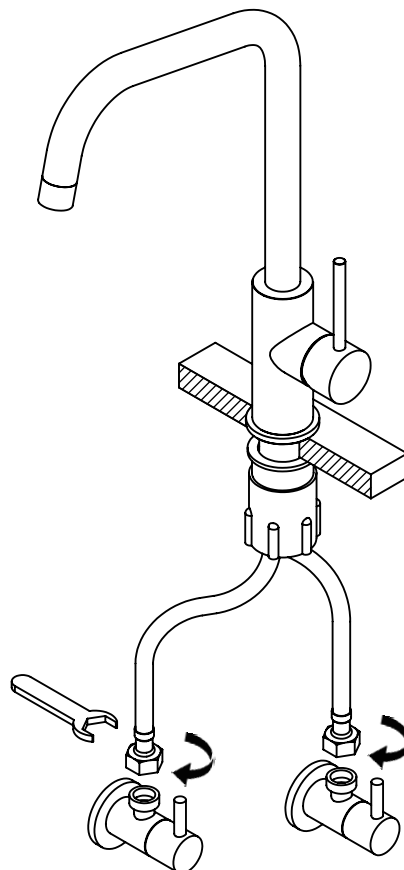
- 2** Fit flexible hoses into inlet holes (A,B);



3 Install the gasket and padding pad on the base from bottom to up, then screw the nut and tighten;



4 Connect flexible hoses to the water mains;



S
STRONG

* The mixer surface should be cleaned regularly with clean water and soft cloth and wiped to dry after cleaning. Painted surfaces are sensitive to the stone dissolving agents as well as cleaning chemicals containing acids, bleach and alcohol.

*Before the installation, rinse water mains to remove pollutions from the system such as sand, stone or hemp sealing, which can be found in the pipes as a result of plumbing works, repairs or not using water for the extended period of time. Such pollutions can cause damage to sanitary fittings.