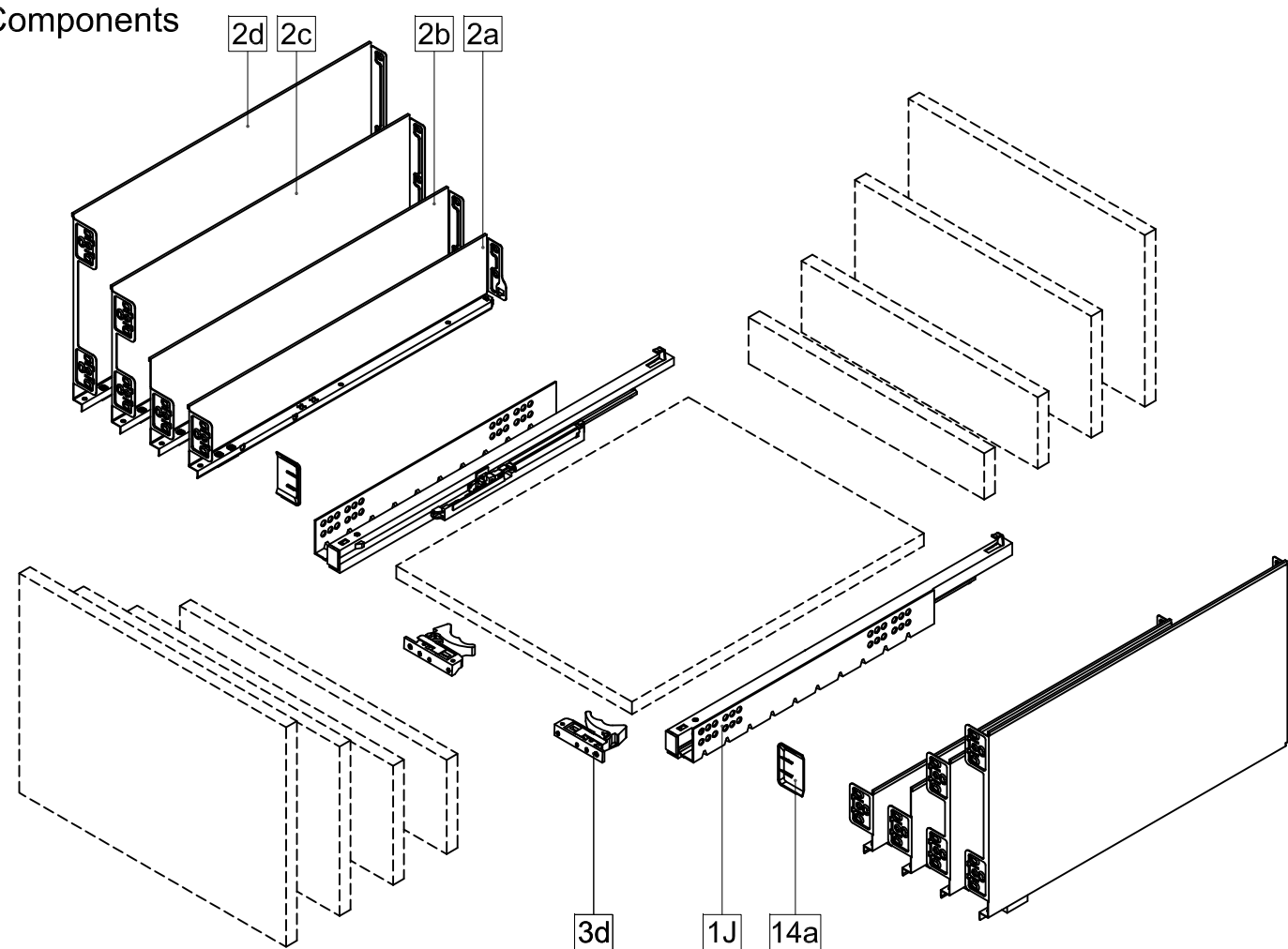




StrongMini H 89/121/185

NL 270 - 550

Components

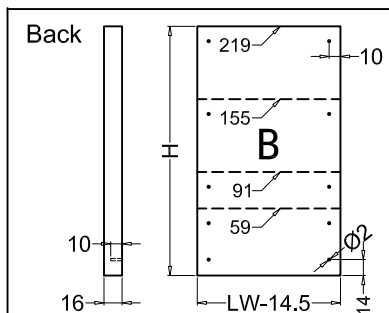


*** Please refer to the Item No.

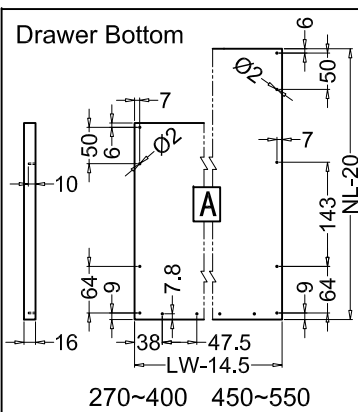
1j. Cabinet profiles L/R	3d. Locking brackets L/R
2a. 89 Drawer Sides L/R	14a. Side cover plate
2b. 121 Drawer Sides L/R	
2c. 185 Drawer Sides L/R	
2d. 249 Drawer Sides L/R	

Nominal length	Internal drawer length	Min.installation length of drawer
270mm	244mm	275mm
300mm	274mm	305mm
350mm	324mm	355mm
400mm	374mm	405mm
450mm	424mm	455mm
500mm	474mm	505mm
550mm	524mm	555mm

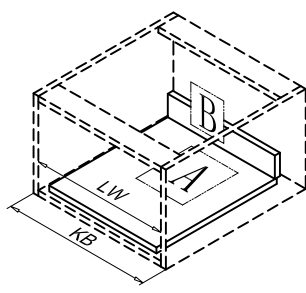
Drawer Back and Bottom Dimensions (mm)



Type	89	121	185	249
H	59	91	155	219

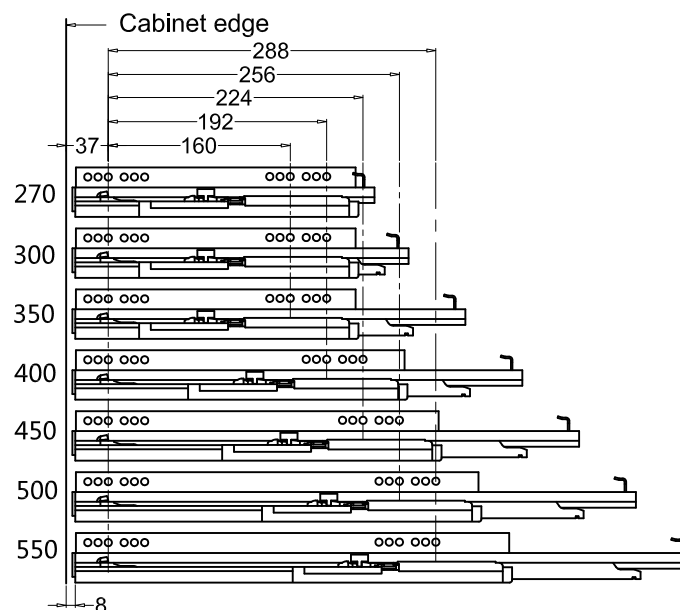
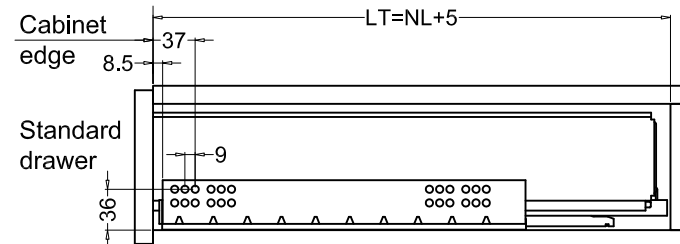


KB Cabinet width
LW Internal cabinet width
NL Nominal length



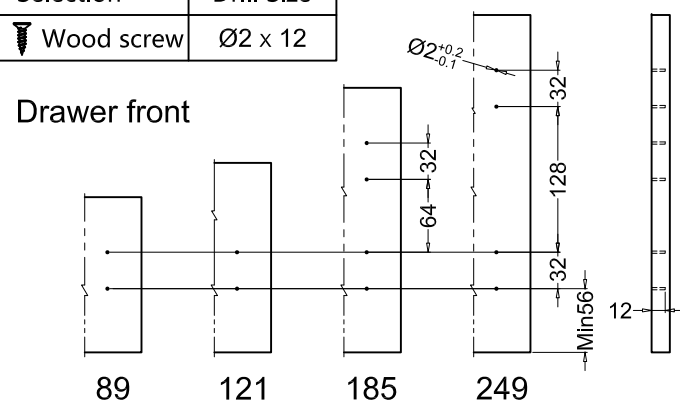
Installation dimensions (mm)

Nominal slide length=NL Internal cabinet depth=LT

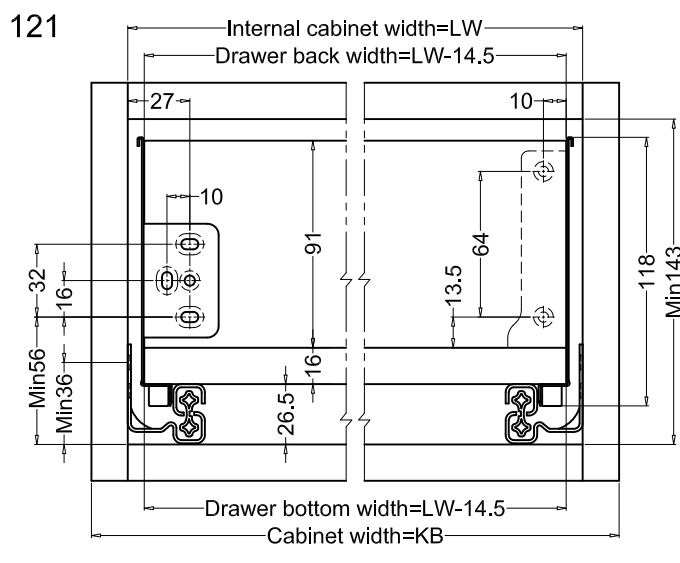


Selection	Drill Size
Wood screw	Ø2 x 12

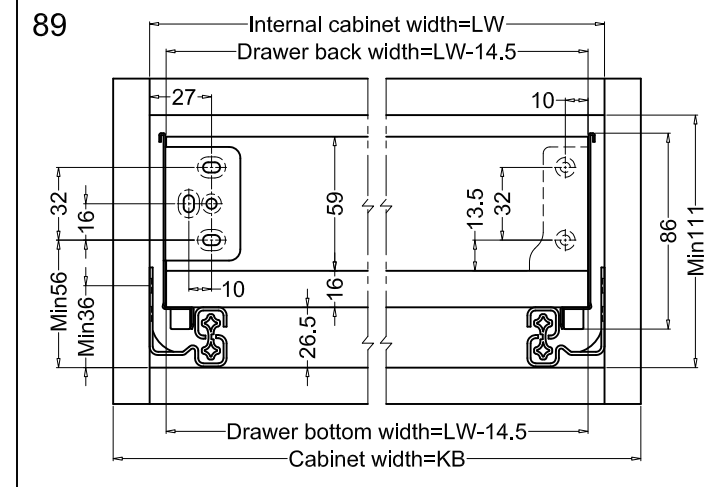
Drawer front



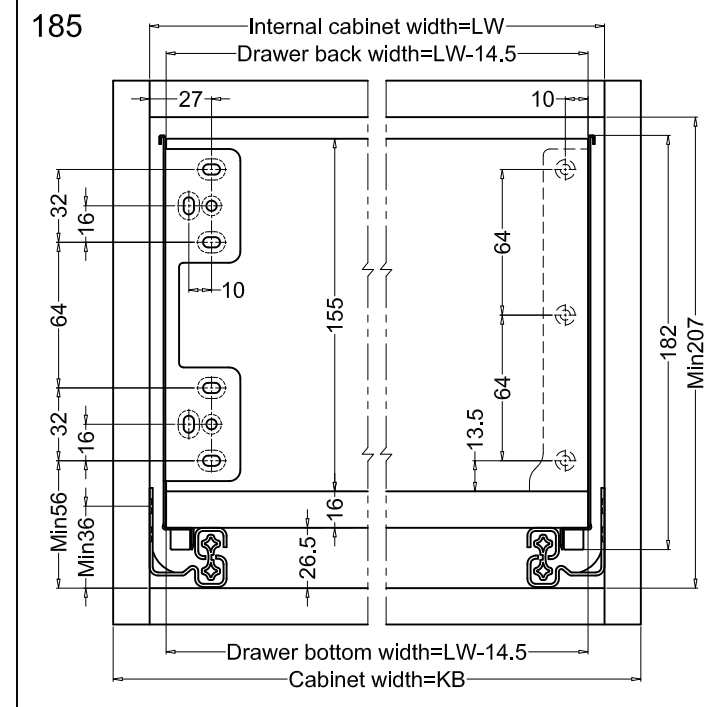
121



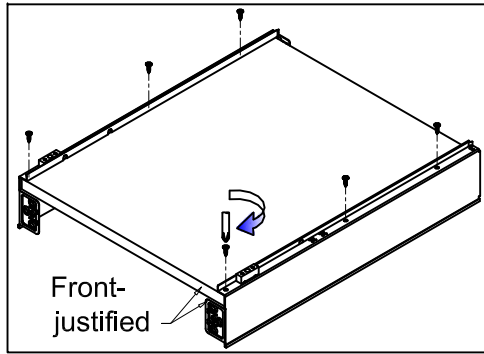
89



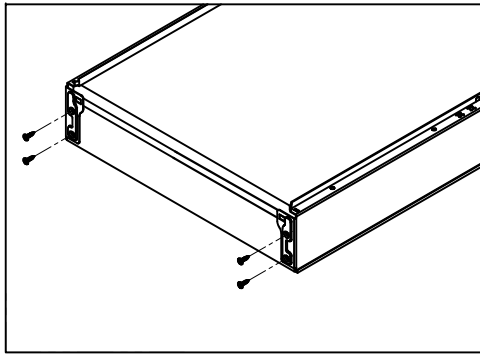
185



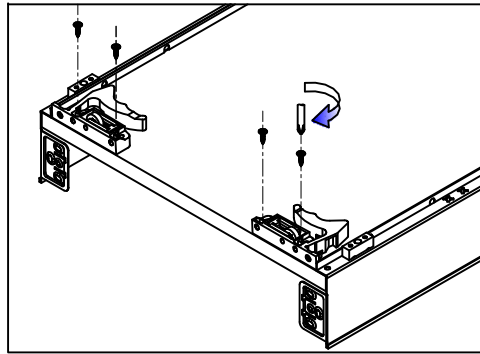
Assembly



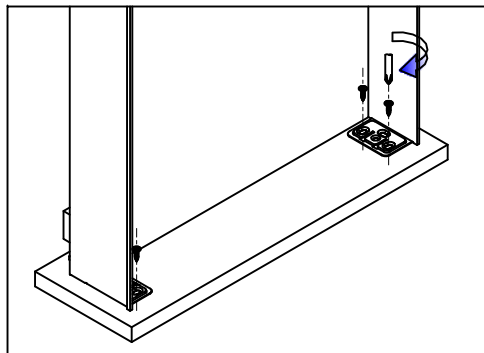
Bottom assembly



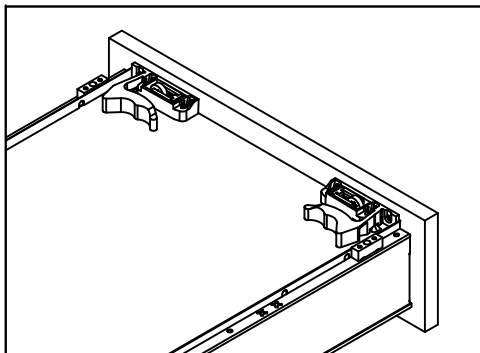
Back assembly



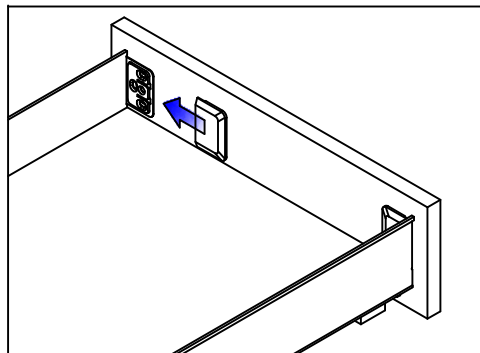
Locking Brackets assembly



Front panel assembly

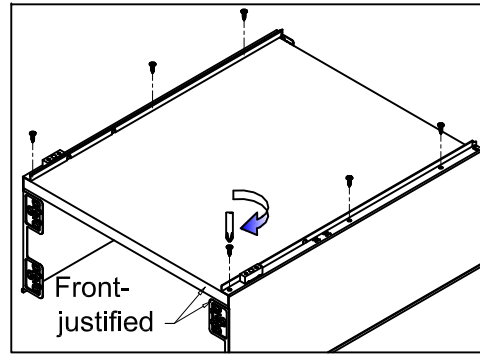


Front fixing assembly

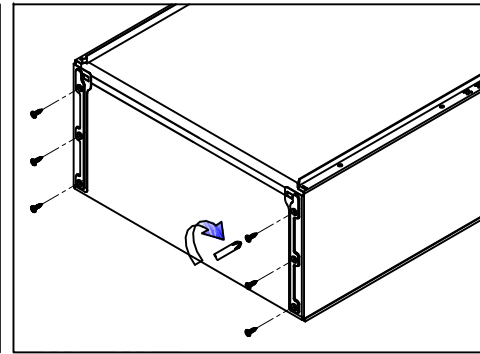


Side panel Cover assembly

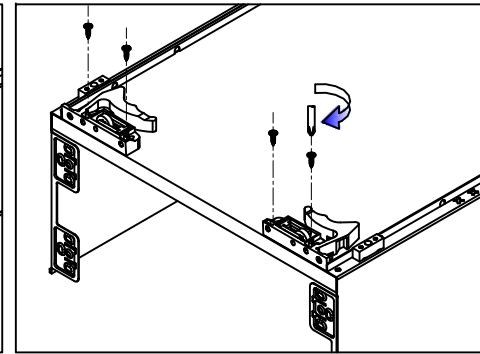
Assembly



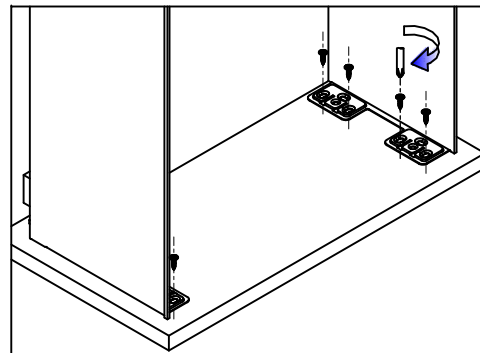
Bottom assembly



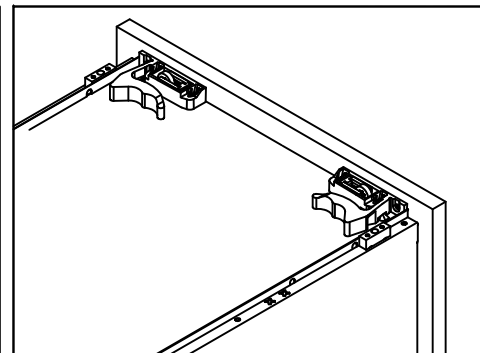
Back assembly



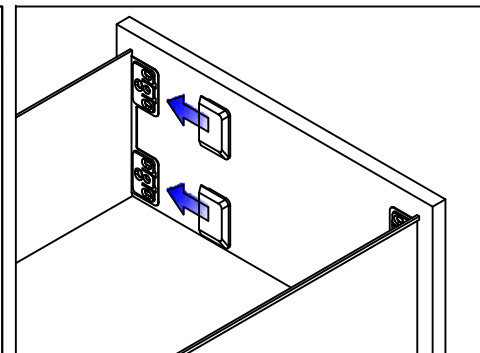
Locking Brackets assembly



Front panel assembly

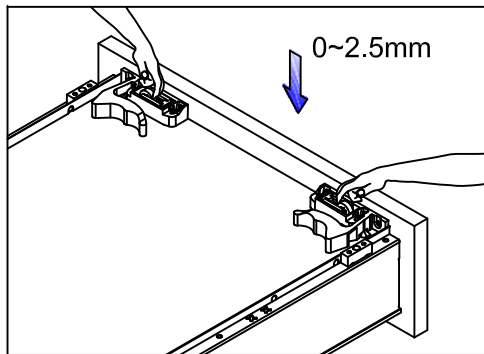


Front fixing assembly

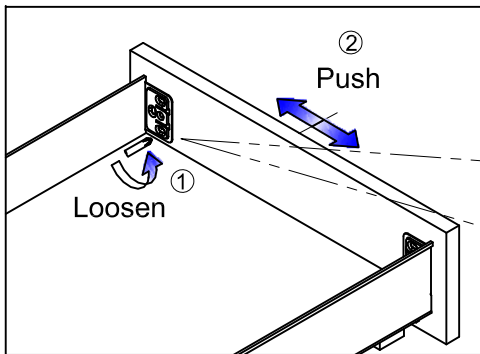


Side panel Cover assembly

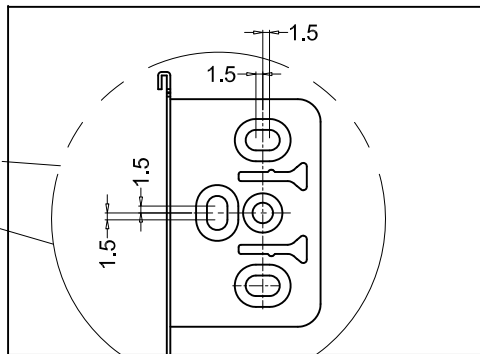
Adjustment



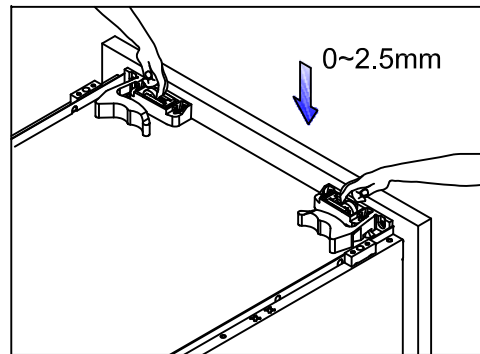
Height adjustment



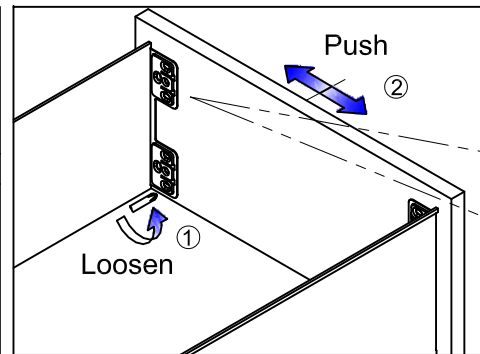
Left&right adjustment



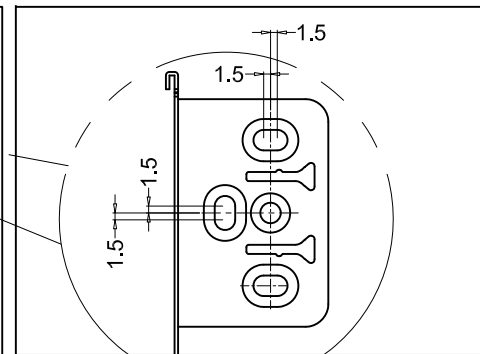
Adjustment



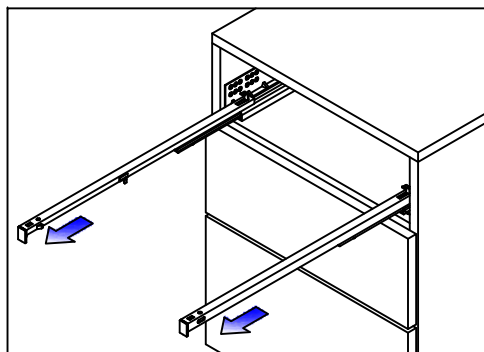
Height adjustment



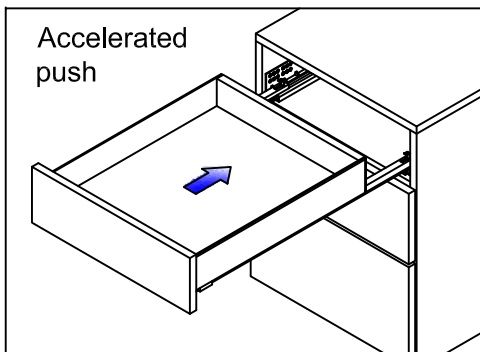
Left&right adjustment



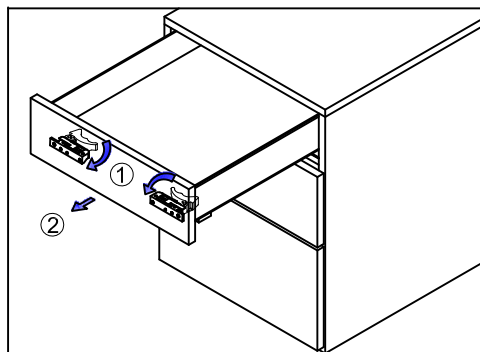
Assembly and removal



Sliding out the slides

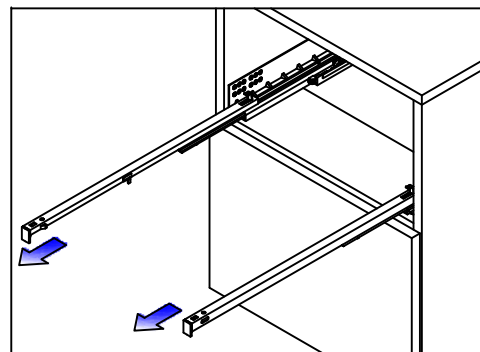


Drawer install

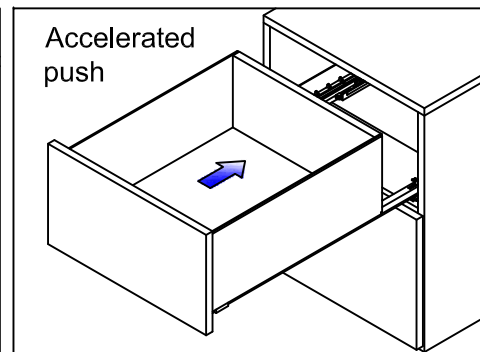


Drawer removal

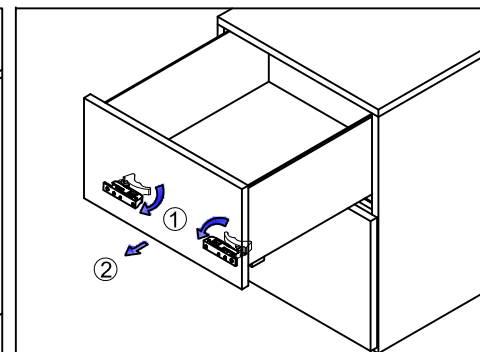
Assembly and removal



Sliding out the slides



Drawer install



Drawer removal