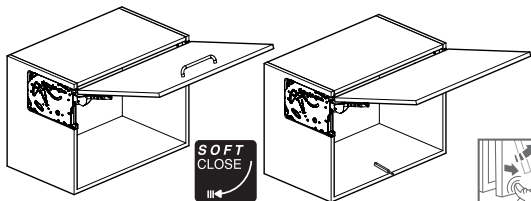




## FREEslim flap FREEslim flap pto



<https://www.kesseboemher.com>

116532

**!**

P2 (EN 312)	
15-19 mm	660 kg/m <sup>3</sup>
>19 mm	620 kg/m <sup>3</sup>

**en:** The furniture manufacturer is responsible for the stability of the furniture construction.

**fr:** Le fabricant de meubles est responsable de la stabilité de la construction du meuble.

**de:** Für die Stabilität der Möbelkonstruktion ist der Möbelhersteller verantwortlich.

**it:** Il produttore di mobili è responsabile per la stabilità della costruzione del mobile.

**es:** El fabricante de muebles es responsable para la estabilidad de la construcción del mueble.

4069670000

**+**

**1**

**A** 2x

**E** 2x

**F** 2x

**M** 8x  
ø 4 x 15

**C** 2x

**D** 2x

**2**

**3**

**G** 2x

**B** 4x

**L** 2x

**I**

**J**

**K**

**N**

**O** 8x  
ø 3,5 x 9,5

push

272449XXXX

272450XXXX

≥19

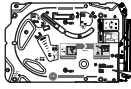
ø 3,5 x 9,5

[WS242]

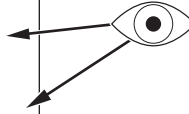
10.10.2025




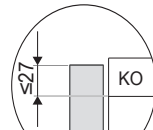
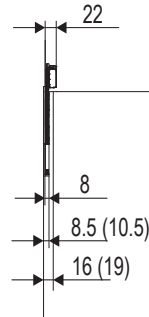
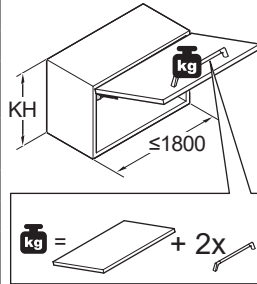
**i**



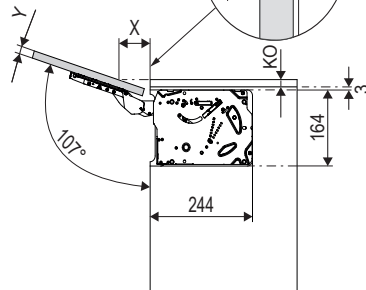
Article No: 2724390006  
 Check Date: 02/09/25  
 Model: soft close  
 Spring: 2x3 mm



PF* = KH x <b>kg</b> * Power Factor	FREEslim flap soft close	FREEslim flap pto	pto-Stößel
	2724390006	2724420006	2724490006
	PF 480 - 4800	PF 480 - 4080	
KH	<b>kg</b>	<b>kg</b>	
225	2.1 - 21.3	2.1 - 18.1	Type 3 - strong (17.5 - 36.8 N)
250	1.9 - 19.2	1.9 - 16.3	
275	1.7 - 17.5	1.7 - 14.8	
300	1.6 - 16.0	1.6 - 13.6	
325	1.5 - 14.8	1.5 - 12.6	
350	1.4 - 13.7	1.4 - 11.7	
375	1.3 - 12.8	1.3 - 10.9	
400	1.2 - 12.0	1.2 - 10.2	
425	1.1 - 11.3	1.1 - 9.6	
450	1.1 - 10.7	1.1 - 9.1	
475	1.0 - 10.1	1.0 - 8.6	
500	1.0 - 9.6	1.0 - 8.2	
525	0.9 - 9.1	0.9 - 7.8	
550	0.9 - 8.7	0.9 - 7.4	
575	0.8 - 8.3	0.8 - 7.1	
600	0.8 - 8.0	0.8 - 6.8	
625	0.8 - 7.7	0.8 - 6.5	
650	0.7 - 7.4	0.7 - 6.3	



KO	Y	X
16 (19)	16	61 (71)
	18	54 (64)
	19	51 (61)
	22	41 (51)
	24	34 (44)
	26	27 (37)
	28	20 (30)



116532

4069670000

[WS242]

10.10.2025

1



ø 5 mm

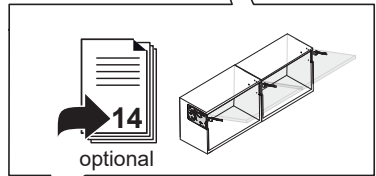
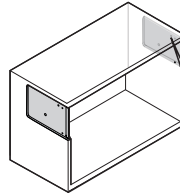
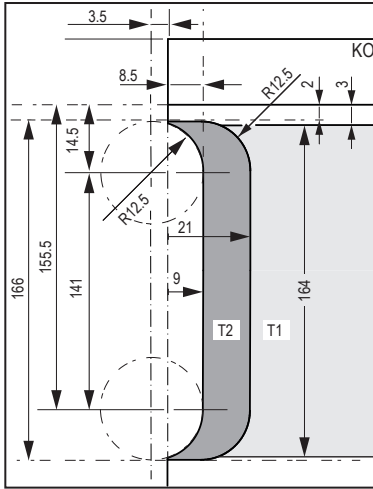


ø 10 mm



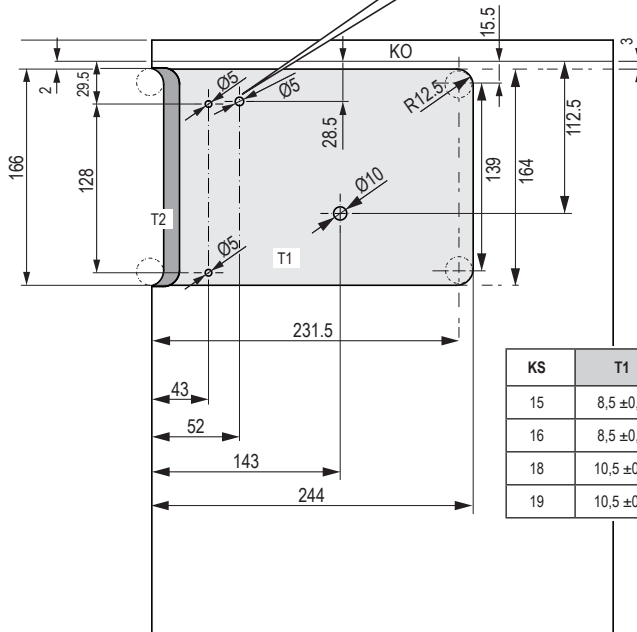
116532

4069670000

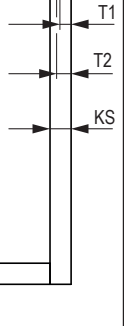


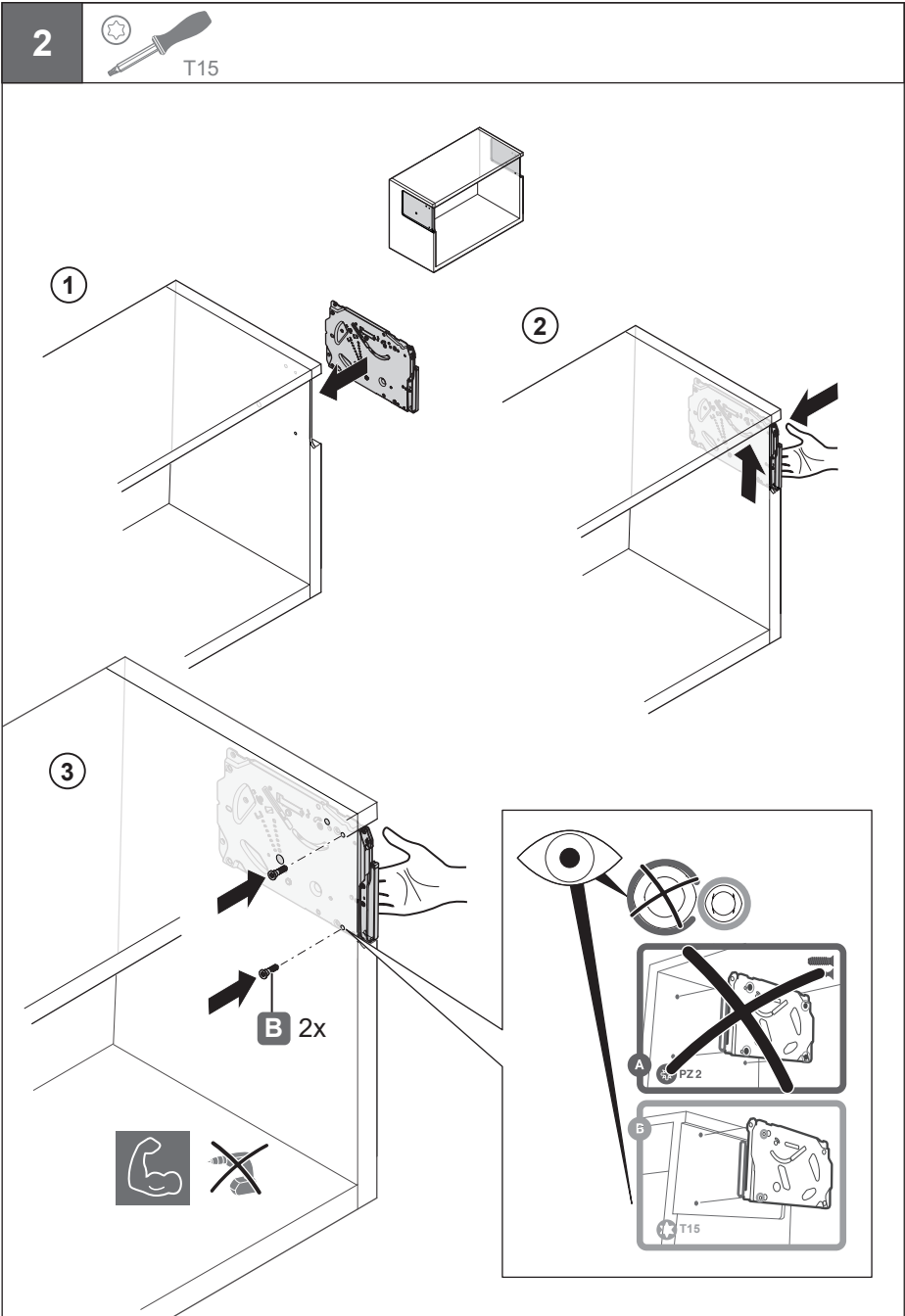
[WS242]

10.10.2025



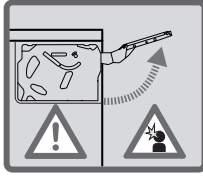
KS	T1	T2
15	8,5 ±0,5	11 ±0,5
16	8,5 ±0,5	11 ±0,5
18	10,5 ±0,5	13 ±0,5
19	10,5 ±0,5	13 ±0,5



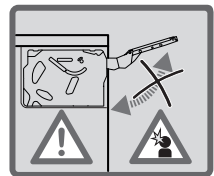
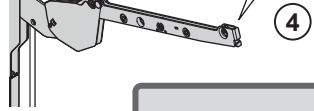
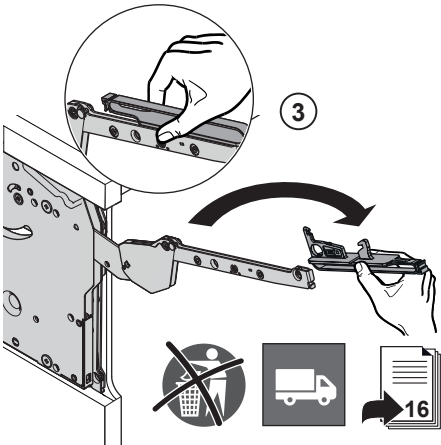
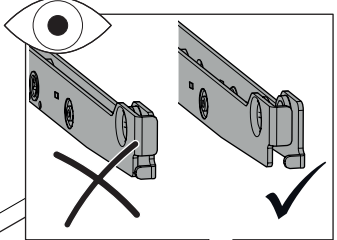
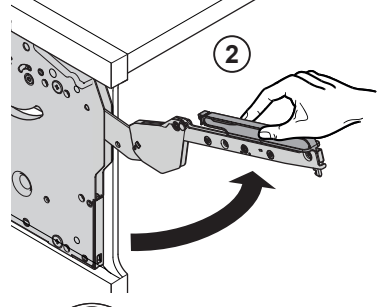
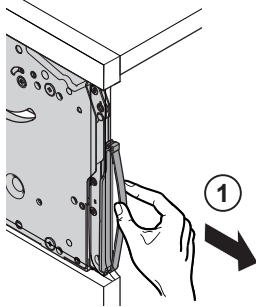




3



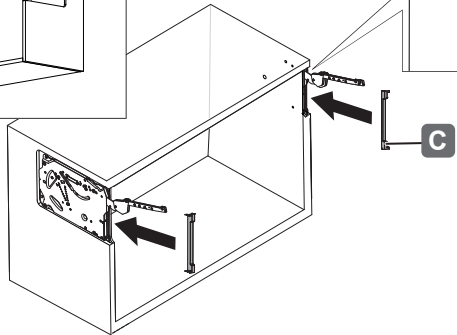
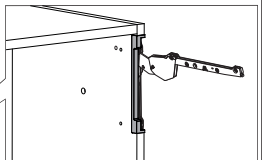
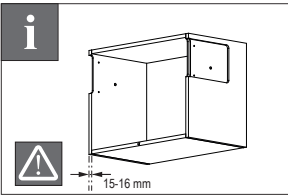
MIN. FORCE



116532

4069670000

4a

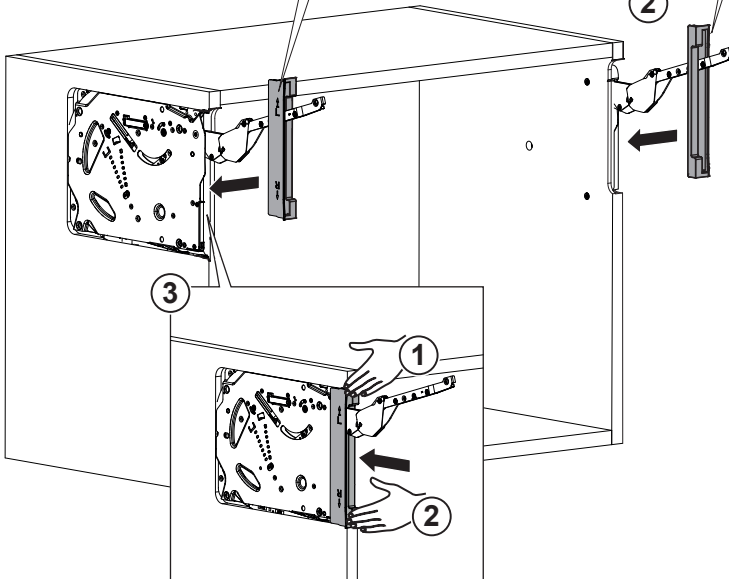
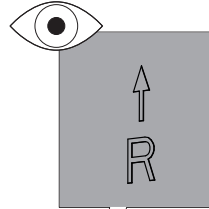
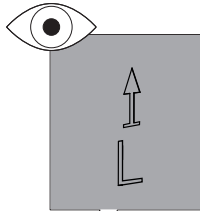
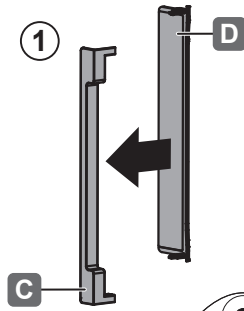
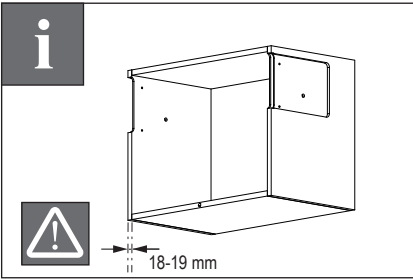


[WS242]

10.10.2025

4b

„mm“



116532

4069670000

[WS242]

10.10.2025

**5**



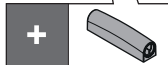
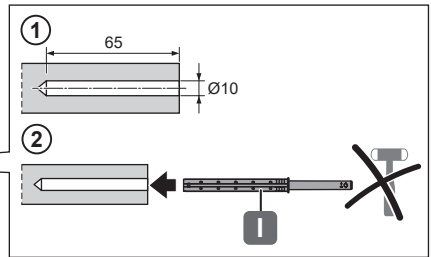
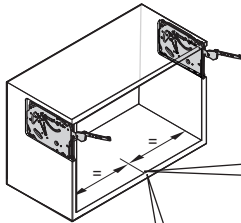
Ø 10 mm



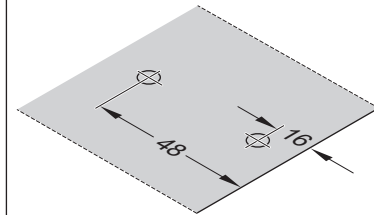
PZ 2



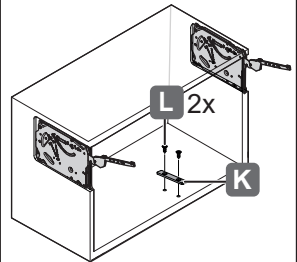
push



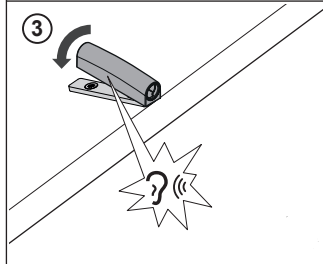
①



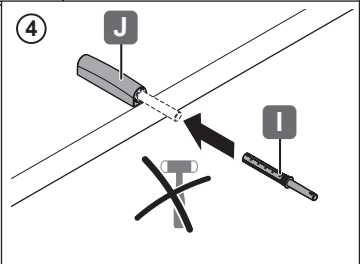
②



③



④

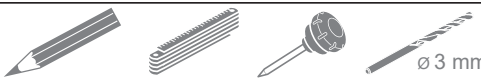



116532

4069670000

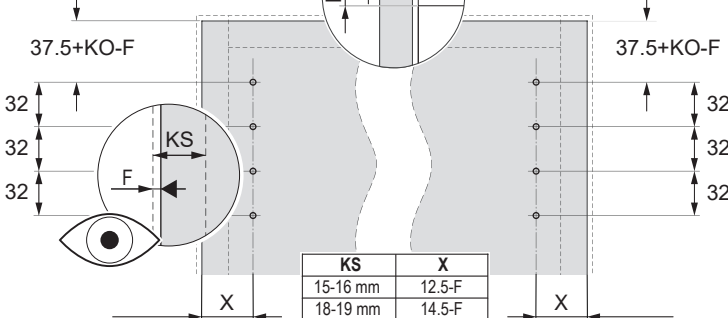
[WS242]

10.10.2025

**6**   $\varnothing 3 \text{ mm}$  „mm“




RB	KS	
	15-16 mm	18-19 mm
19 mm	Fmin = 2 mm	Fmin = 4 mm
20 mm	Fmin = 1 mm	Fmin = 3 mm
21 mm	Fmin = 0 mm	Fmin = 2 mm
22 mm	Fmin = 0 mm	Fmin = 1 mm
≥ 23 mm	Fmin = 0 mm	Fmin = 0 mm

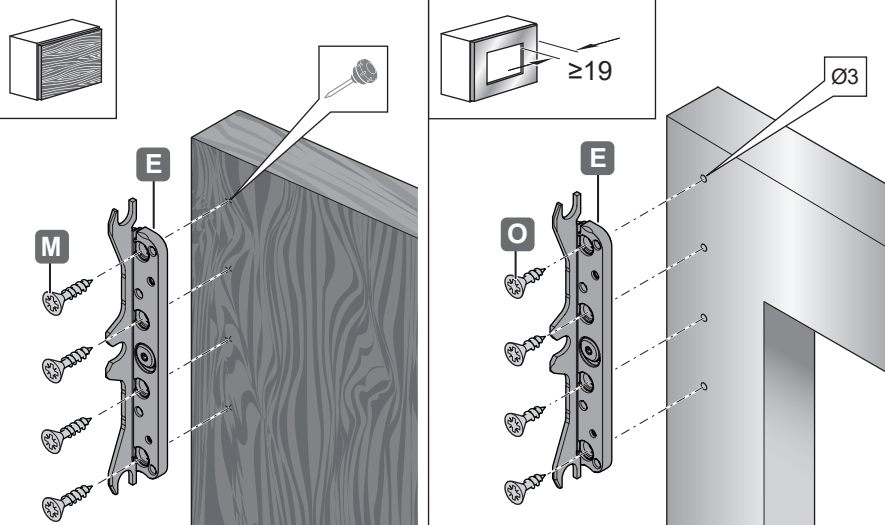


KS	X
15-16 mm	12.5-F
18-19 mm	14.5-F

116532

4069670000

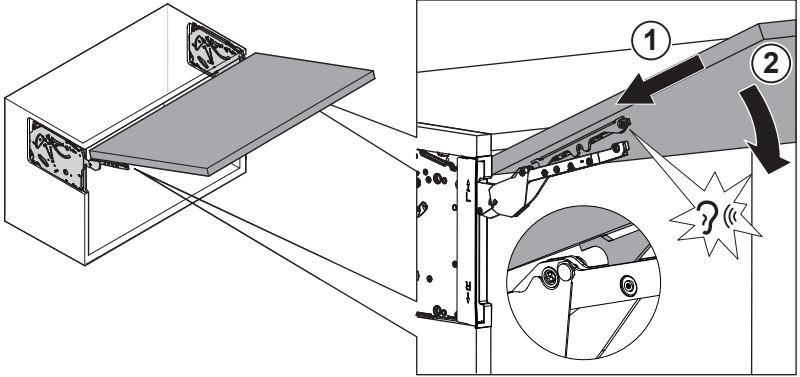
**7**  PZ 2 „mm“



[WS242]

10.10.2025

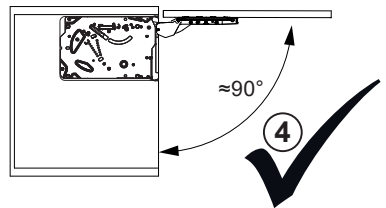
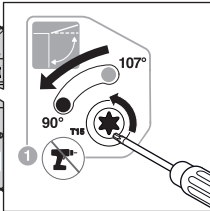
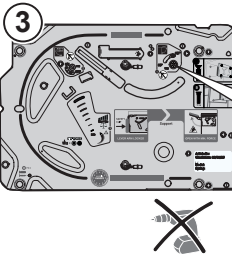
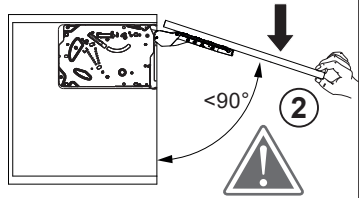
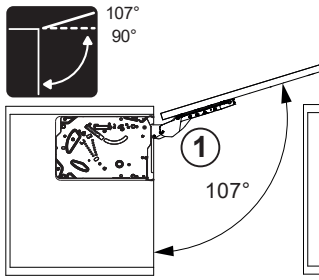
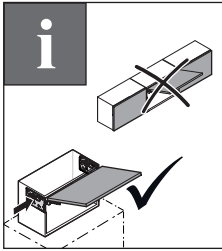
8



116532



4069670000

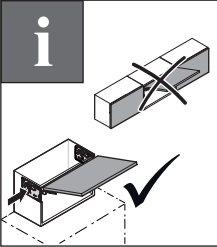
9


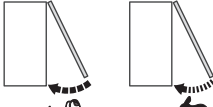


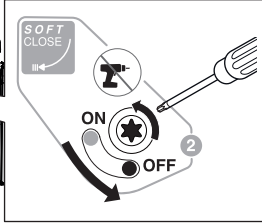
[WS242]

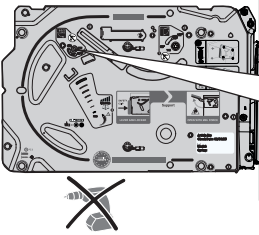
10.10.2025


**10**  T15 

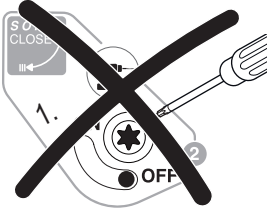
**i** 

**SOFT CLOSE**  
  
  
L + R PF ≥ 2.500 ON + ON    L / R PF < 2.500 ON + OFF







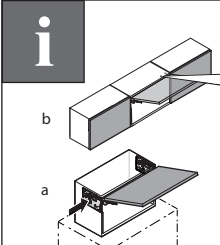
**i**  **push**

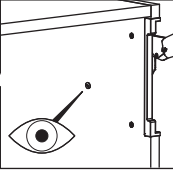


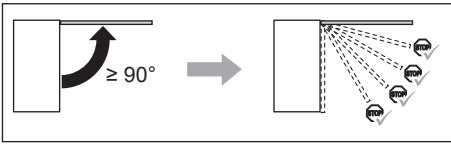
116532

4069670000

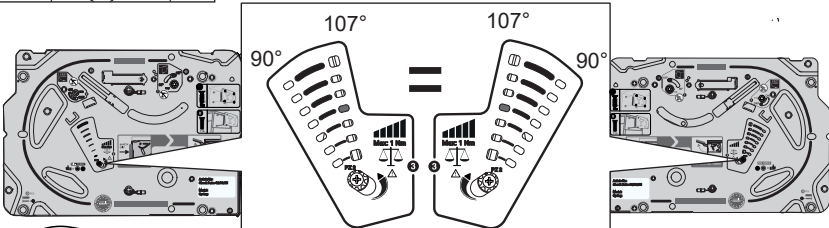
**11**  PZ2 

**i** 

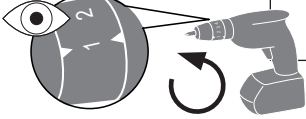






$\geq 90^\circ$




90°    107°    107°    90°





**max. 1 Nm** 



[WS242]

10.10.2025

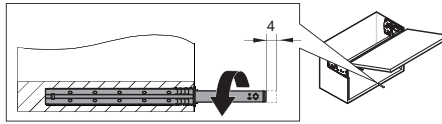
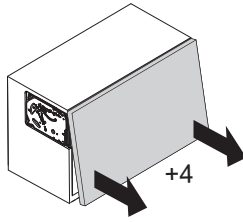
12



push

116532

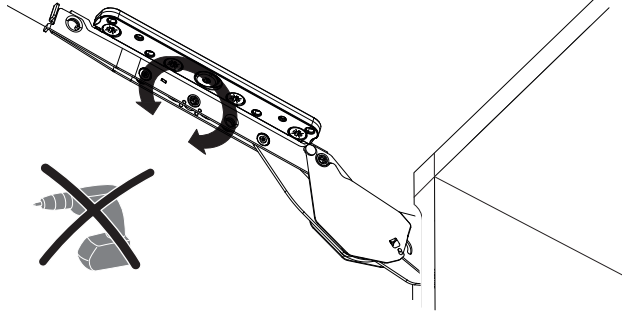
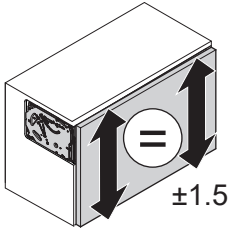
4069670000



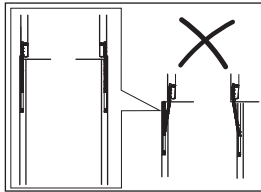
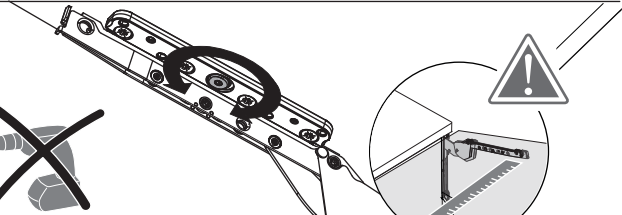
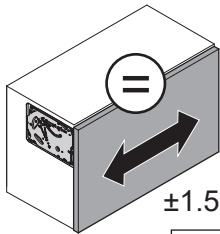
[WS242]

10.10.2025

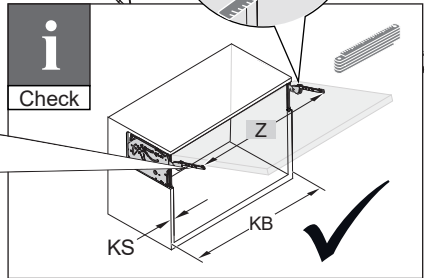
13



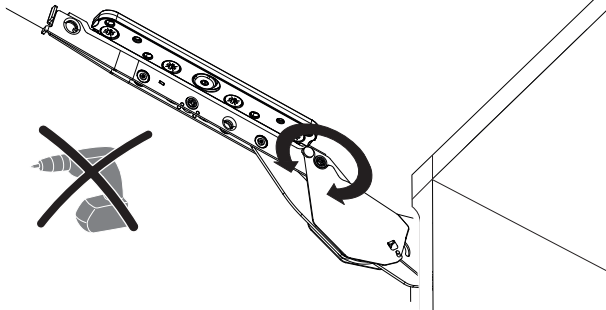
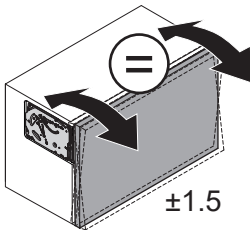
116532



KS	Z
15-16	KB - 13.5
18-19	KB - 17.5



4069670000

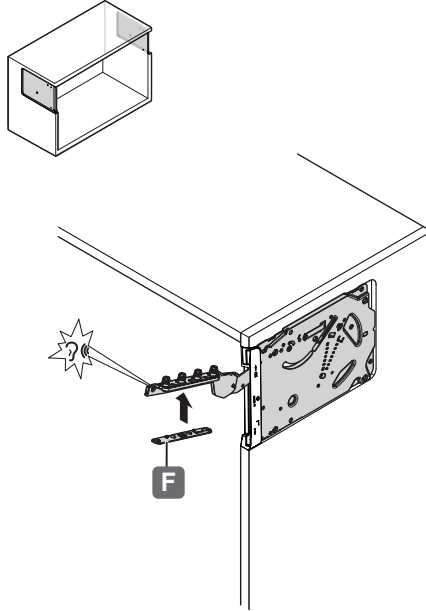


[WS242]

10.10.2025

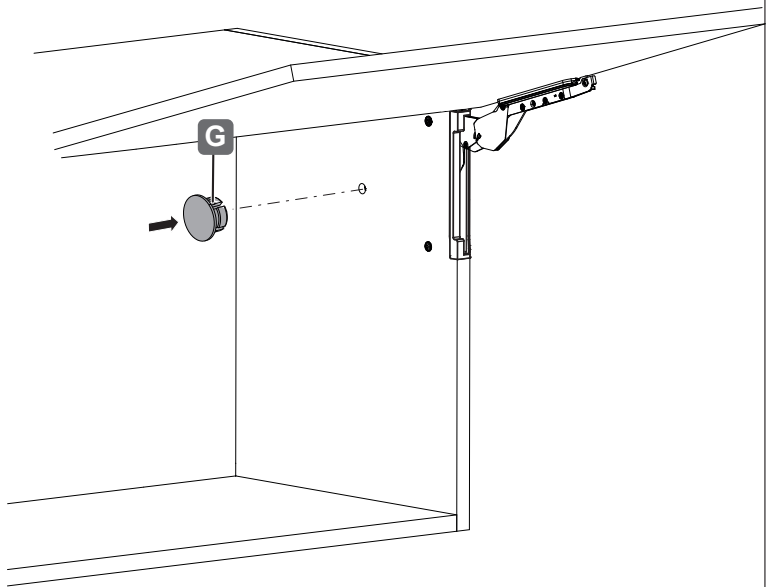


14



116532

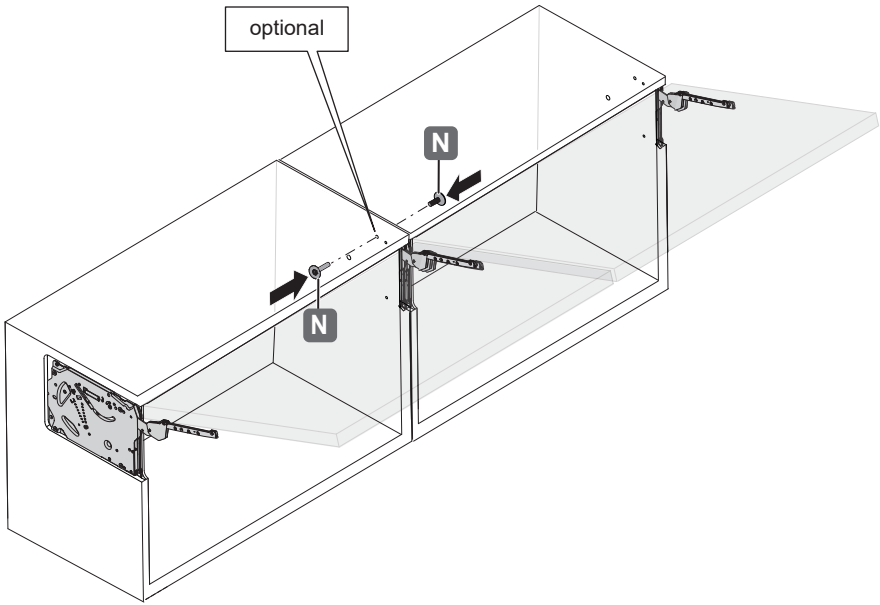
4069670000



[WS242]

10.10.2025

15



116532

4069670000

[WS242]

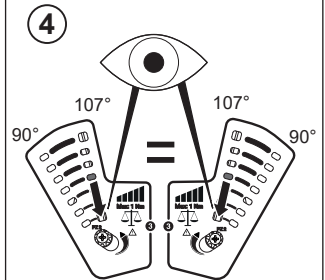
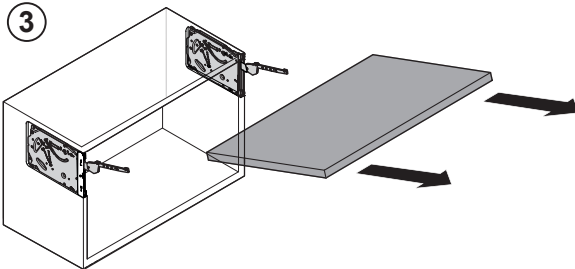
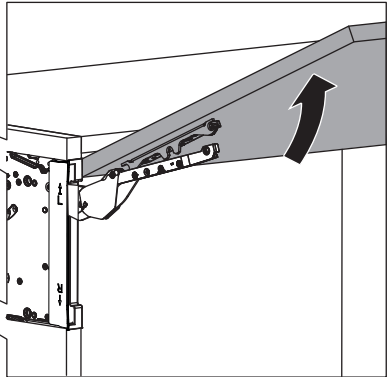
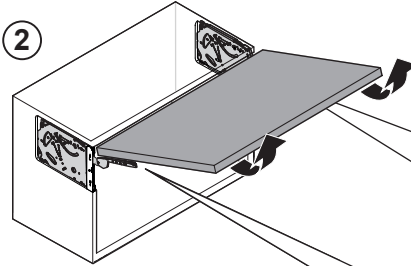
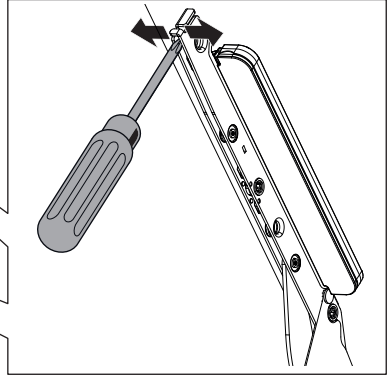
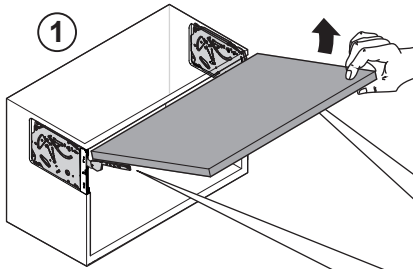
10.10.2025



PZ 2

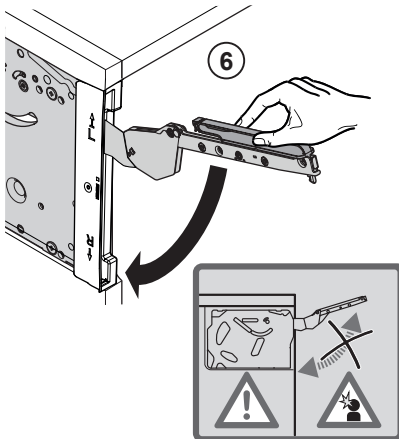
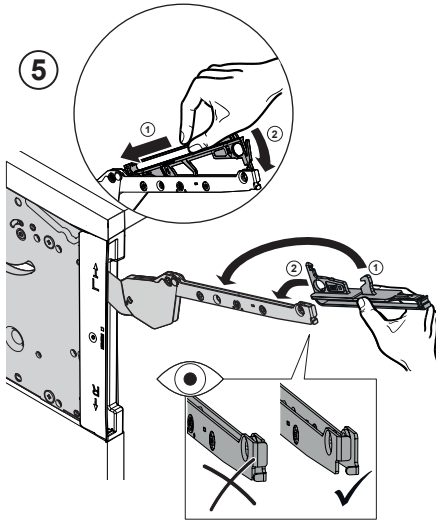
116532

4069670000



[WS242]

10.10.2025



116532

4069670000

[WS242]

10.10.2025